



# Panel Cord Control Fitting & Operating Instructions

# Panel Cord Control

## Fitting & Operating Instructions

Carefully unwrap the panel blind and brackets.

### Fitting the Brackets

The panel blind track uses turnbuckle style brackets to secure the panel track. These are normally top fix turnbuckle brackets and to change them into face fix the turnbuckle brackets are secured to a face fix bracket extender using a nut and bolt.

In a normal installation ensure that there is a 40mm (1 9/16") clearance for the bracket from any obstruction. e.g a pelmet.

However if the track is a 4 track split draw corded configuration, the headrail must be turned around through 180 degrees and the brackets fixed 60mm (2 3/8") from any obstruction.

For a panel track up to 1 metre in length attach two brackets fitted 50mm (2") from each end of the panel track. One fixing screw should be used in the centre hole of each bracket.

Any intermediate brackets should be spaced evenly between these and as a general rule:

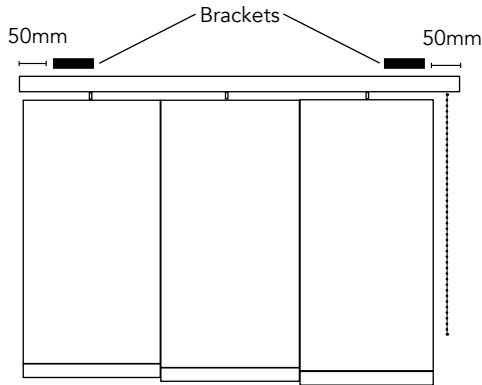
Upto 1m = 2 brackets.

1m to 2m = 3 brackets.

2m to 3m = 4 brackets.

Over 3m = 5 brackets.

Mark the bracket hole positions before drilling and plugging if necessary. Use two screws for a face fix bracket and one screw in a top fix bracket ensuring that the brackets are level. Remember to allow room for the blind to clear any obstacles when deployed, e.g. door or window handles.



### Fitting the Track

Offer the panel track to the brackets, centralise the track and secure the track by rotating the turnbuckle brackets.

### Removing the Track

First remove all the attached panels from the blind. Then rotate each of the turnbuckle brackets in turn until the track can be safely removed.

### Fitting the Panels

The panels will have a strip of Velcro fitted along the top edge of the panel. This will be used to attach the panel to the track using the strip of Velcro running along the length of each panel runner.

Run the panel runners along the track to give easy access for the panels to attach to the runners. Starting at the back of the blind attach the appropriate panel to the rearmost panel runner. Repeat this moving forward one panel runner at a time until all panels have been fitted.

For a split draw panel blind follow the above step starting on one side of the blind, then moving to the other side of the blind.

Check that the panels line up across the bottom bar and adjust individual panels if this is not the case.

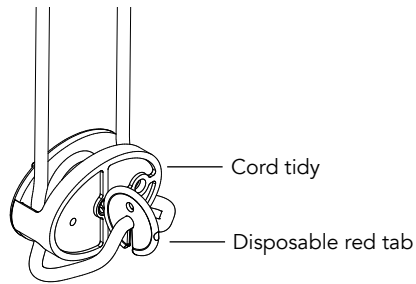
# Child Safety

## Tensioned System using cord tidy.

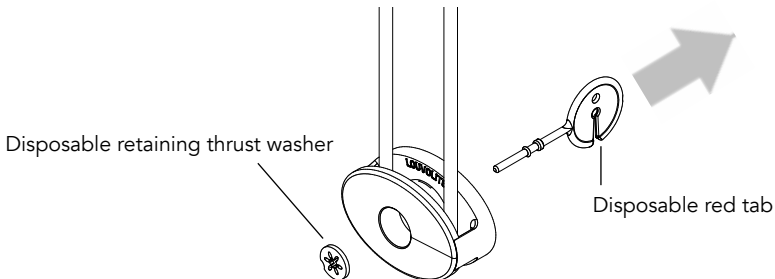
A side fix or face fix cord tidy will be supplied and must be fitted with all cord operated panel blinds.

### Fitting a side fix cord tidy.

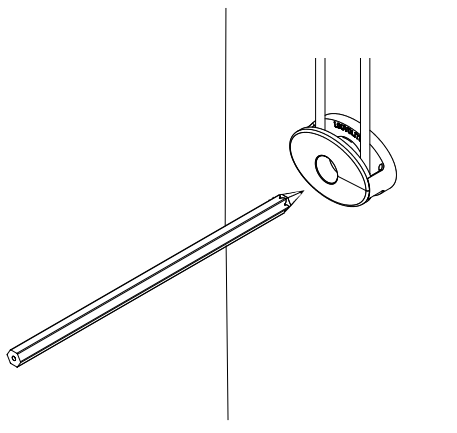
The cord tidy is a two piece device and will arrive with a disposable red tab fitted to it.



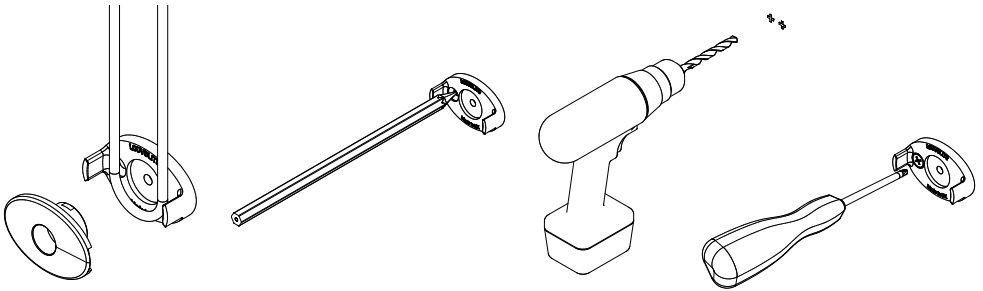
Remove the disposable red tab by disengaging it from the cord and then pull out the disposable red tab.



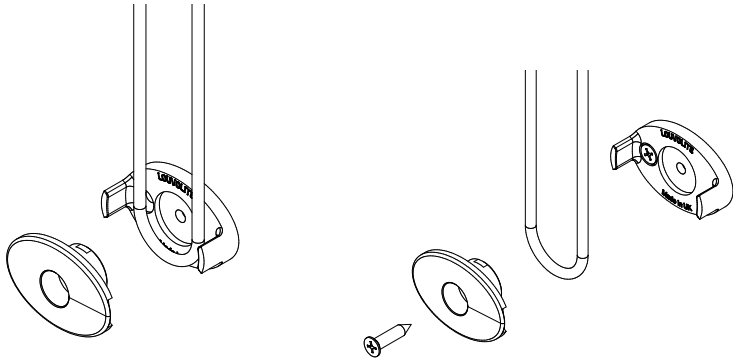
Position the cord tidy to the wall at the furthest distance below the headrail adding appropriate tension to the cord and mark its location.



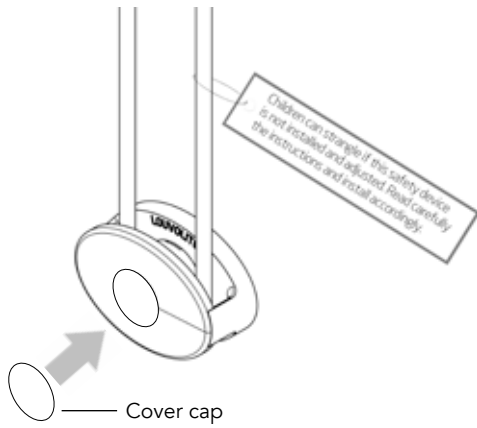
Split the cord tidy and mark the remaining offset hole position before drilling and plugging both location holes if necessary. Screw into the offset hole to fix the back piece of the cord tidy to the wall.



Re-assemble the cord tidy with the cord and fix it in previously marked position with a screw through the centre hole.

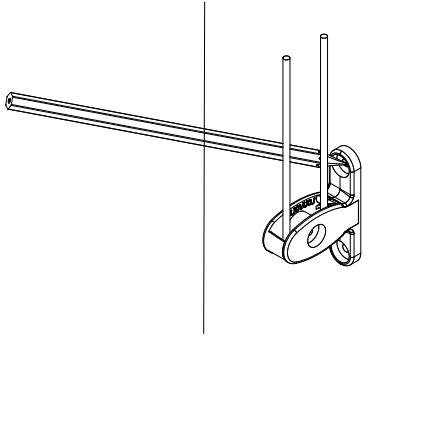


Push fit a cover cap over the screw hole opening.

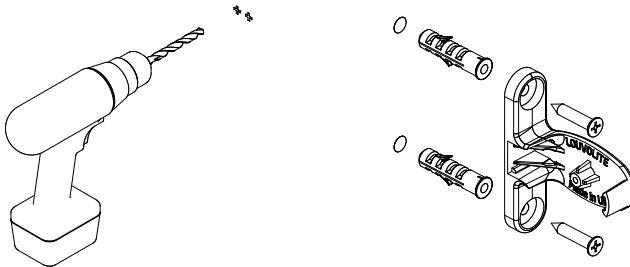


## Fitting a face fix cord tidy.

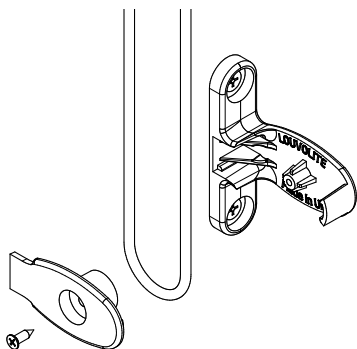
Position the cord tidy to the wall at the furthest distance below the headrail adding appropriate tension to the cord and mark its location.



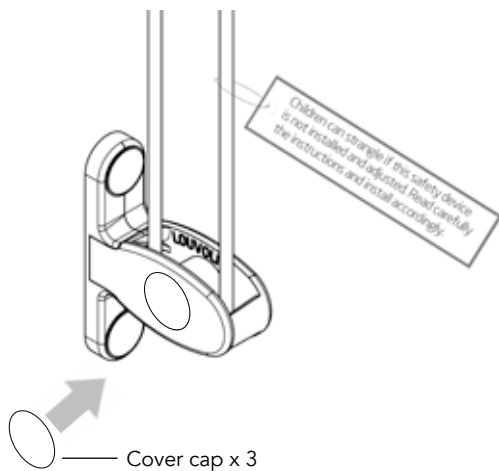
Mark the remaining hole position before drilling and plugging both location holes if necessary.



Attach the cord cover plate with the screw provided.



Push fit a cover cap over the screw hole opening.





## Operating the blind.

To enable the louvres to traverse the track, pull down on the cord. To restore the louvres pull down on the other strand of the cord.

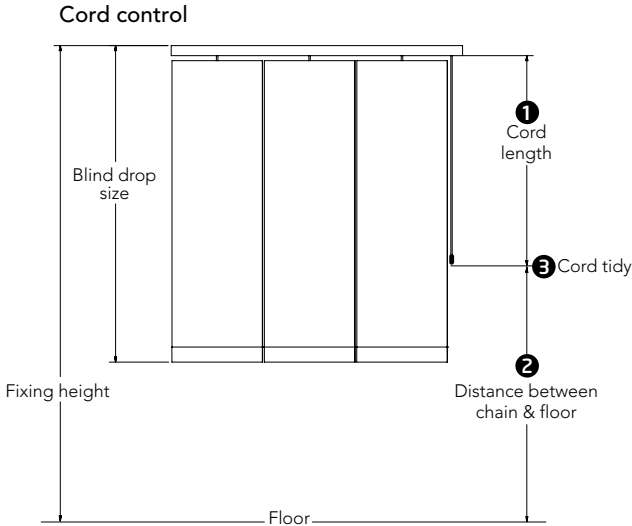
### **NOTE TO INSTALLER:**

Please ensure a general child safety warning tag is fitted on the product.

# Notes

# Notes

# Child Safety - BS EN 13120 Guidelines for Panel Blinds



## 1 If fixing height is unknown

- Blind drop  $\leq$  2.5 metres, the cord length must be  $\leq$  1 metre.
- Blind drop  $>$  2.5 metres, the cord length must be drop of blind minus 1.5 metres.

## 2 If fixing height known

All blind drop sizes, distance between floor and bottom of cord must be greater than 1.5 metres.

## 3 Cord tidy

Affix cord tidy to wall at the maximum distance possible from the blind control mechanism ensuring all operating cords are taut (cords no more than 50mm apart at entry/exit of cord tidy).

**NOTE TO INSTALLER:** Please ensure general child safety warning tag is fitted on the product.

### WARNING

Young children can be strangled by loops in pull cords, chains, tapes and inner cords that operate the product.

To avoid strangulation and entanglement, keep cords out of the reach of young children. Cords may become wrapped around a child's neck. Move beds, cots and furniture away from window covering cords.

Do not tie cords together. Make sure cords do not twist and create a loop.



Also find us on:



Louvolite Customer Services Tel: 0161 882 5050 Email: [sales@louvolite.com](mailto:sales@louvolite.com)  
Visit the Louvolite website to view the links to all of our assembly instructional videos  
[www.louvolite.com](http://www.louvolite.com)

