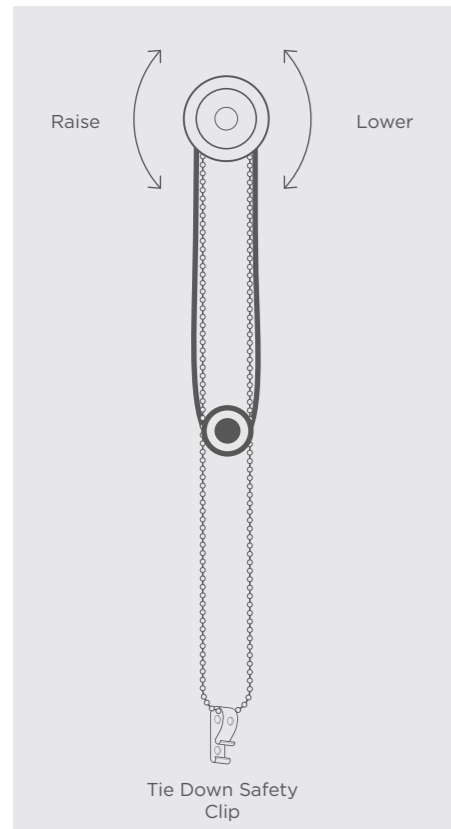


PLEASE READ THE INSTRUCTIONS BEFORE OPERATING THIS PRODUCT

### OPERATION

1. To lower the fabric gently pull the operating chain closest to the window.
2. To raise the fabric gently pull the operating chain furthest from the window.



### MAINTENANCE

The product is maintenance free however we recommend that regular visual checks are completed to ensure that no components have been damaged, which could result in operating difficulties and/or cause a safety risk.

If any maintenance is required we recommend that the work is carried out immediately, by a reputable blind company.



**make it safe**<sup>TM</sup>

**BBSA**<sup>®</sup>  
BRITISH BLIND & SHUTTER ASSOCIATION



### WARNING

Young children can be strangled by loops in pull cords, chains, tapes and inner cords that operate the product. To avoid strangulation and entanglement, keep cords out of the reach of young children.

Cords may become wrapped around a child's neck.

Move beds, cots and furniture away from window covering cords. Do not tie cords together. Make sure cords do not twist and create a loop.



DAY/NIGHT BLINDS

V1.0

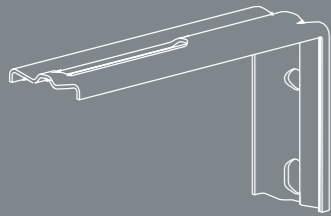
FITTING INSTRUCTIONS

## YOU SHOULD HAVE

### BRACKETS

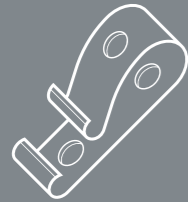


FACE FIX CASSETTE (OPTIONAL)



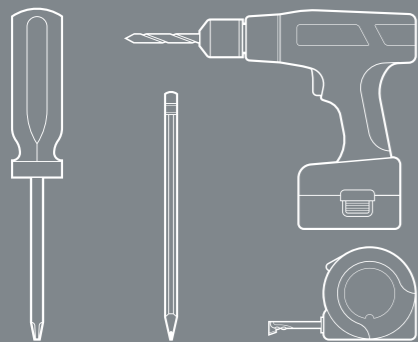
### SAFETY DEVICES

- Tie down Safety Clip



### TOOLS REQUIRED

- Screwdriver
- Pencil
- Power-Drill
- Tape Measure



## STEP 1

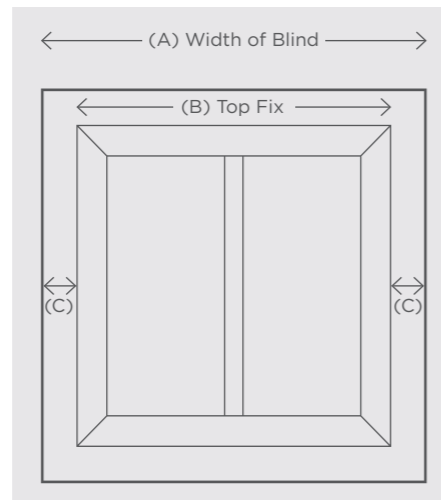
**THE INSTALLATION OF THIS PRODUCT SHOULD BE CONDUCTED BY SOMEONE COMPETENT IN DIY.**

### OUTSIDE RECESS

If the blind is to be fitted outside the window ensure that measurement C is the same. Follow instructions for FACE FIXING. To calculate C  $(A-B)/2$ .

### INSIDE RECESS

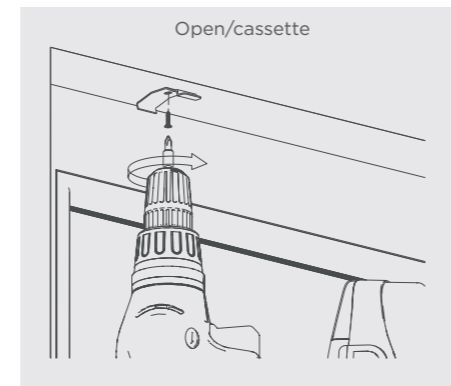
TOP FIX to the lintel. FACE FIX bracket to the window frame.



## STEP 2

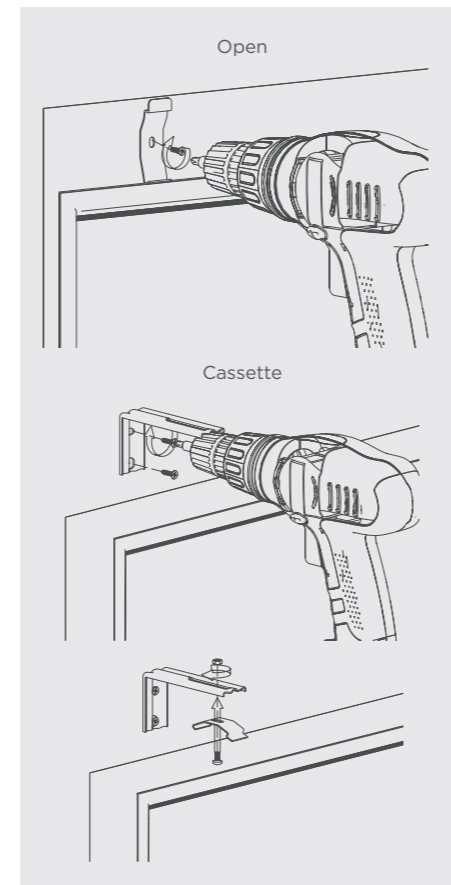
### TOP FIXING

Position the brackets allowing for obstructions like handles that protrude into the recess area. Hold each bracket into place and mark the hole positions. Fit each bracket using suitable screws. Please ensure fixings are suitable for the wall/surface to which you are mounting the brackets.



### FACE FIXING

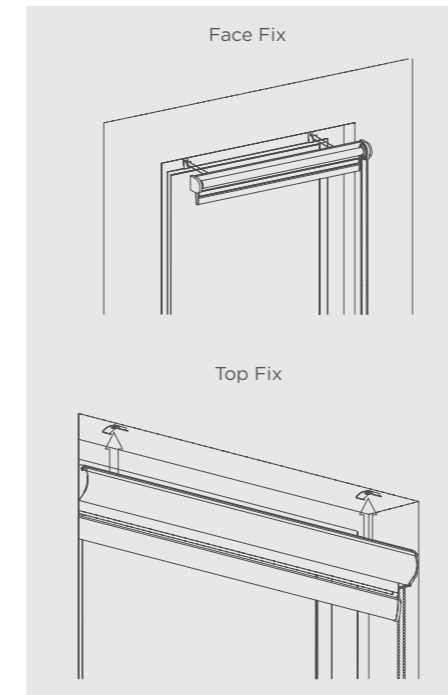
Hold each bracket into place and mark the hole positions. Fit each bracket using suitable screws. Please ensure fixings are suitable for the wall/surface to which you are mounting the brackets.



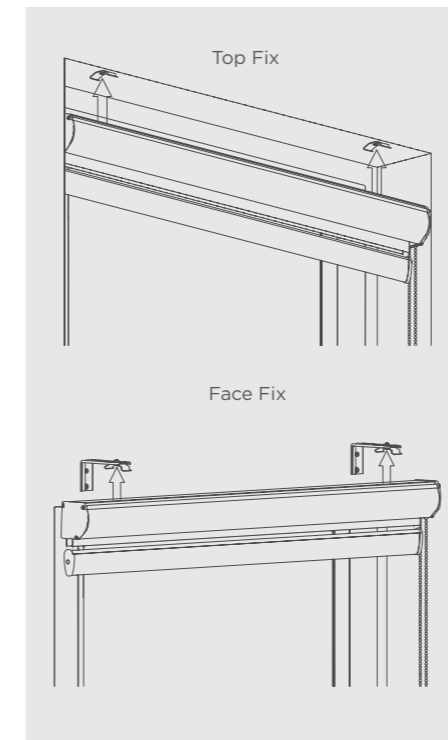
## STEP 3

Insert the blind into the brackets until it clicks into position.

### OPEN



### CASSETTE



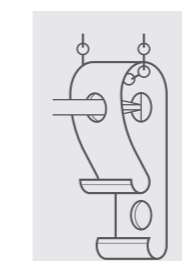
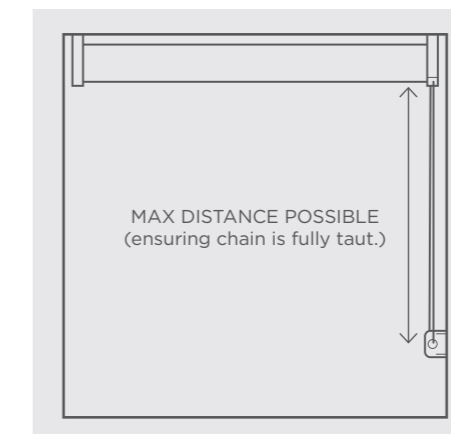
## STEP 4

### SAFETY DEVICE

The safety device must be installed at the maximum distance possible from the control mechanism to prevent looped chain becoming slack.

Place the safety device on the wall and mark the positioning of the 2 screw holes.

Drill holes using a suitable drill bit. Place device into position ensuring the chain is fully taut.



Tie Down safety Clip

Screw the safety device securely into the wall using suitable fixings.

**CHILDREN CAN STRANGLE IF A SAFETY DEVICE IS NOT INSTALLED. ALWAYS USE A SAFETY DEVICE TO KEEP CORDS AND CHAINS OUT OF REACH OF CHILDREN.**