

ALLUSION™ SPECIFICATIONS

MAXIMUM AND MINIMUM SIZES

Slimline Vogue® & Allusion™ 80mm Fascia

Head rails

Minimum Width - 550mm
Maximum Width - 5000mm
Maximum Drop - 3000mm

HEAD RAIL OPTIONS

Standard

Slimline Vogue® - Standard colour is white with optional Anthracite Grey and Piano Black.

Optional

Allusion™ 80mm Fascia (Uncovered) - Colours available are White, Anthracite Grey or Piano Black. An optional fabric can be inserted into the fascia from our Vertical collection.

CONTROL OPTIONS

Slimline Vogue® & Allusion™ 80mm Fascia

Wand control

Right hand or Left hand bunching/stacking available. Split draw is available but not recommended because the two bunches/stacks cannot meet fully in the middle of the blind.

Cord & Chain Control

Right hand or Left hand bunching/stacking available. Split draw is available but not recommended because the two bunches/stacks cannot meet fully in the middle of the blind (Please note: The two bunches/stacks come closer together than the wand control split draw). Controls can be at either side.

MEASURING

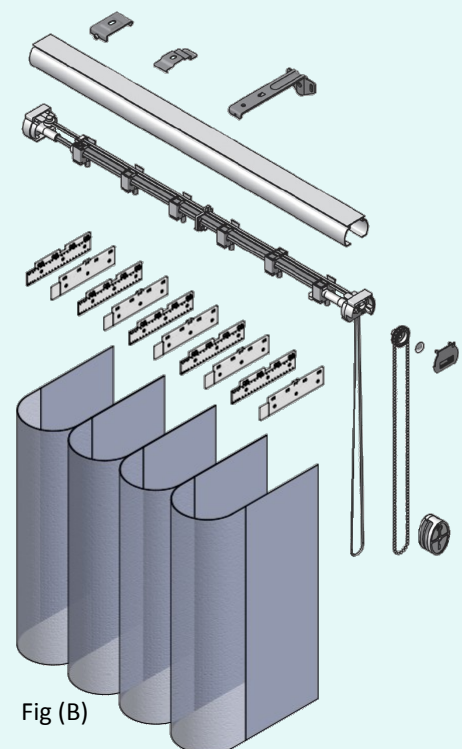
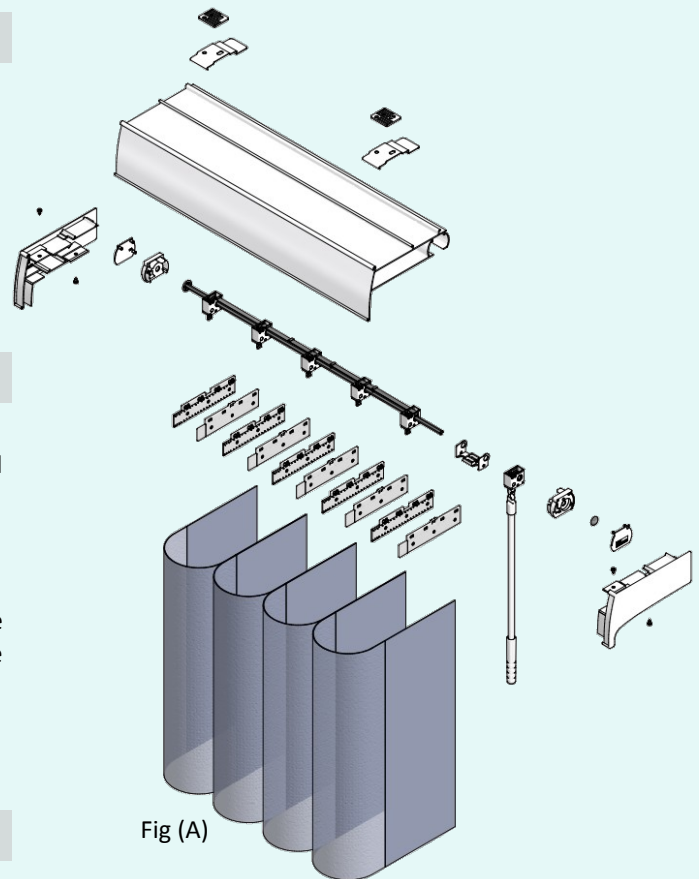
Slimline Vogue®

Recess Fitting:

If a recess size is given on your order, 6mm will be taken off the width and a finished blind drop must be given to give a blind size to manufacture.

When measuring for top fixing the head rail, there has to be a recess depth minimum of 107mm to any obstruction. It is recommended to maintain a clearance of 15mm +/- 2mm from the rear of the vanes to any obstruction.

It is important to note that when the blind is fitted within a recess there will be a gap between the recess walls and the end vanes of 83 - 88mm +/- 2mm when the vanes are in the open position see fig (C) on next page.



MEASURING (continued)

Slimline Vogue®

Recess Fitting:

If a recess size is given on your order, 6mm will be taken off the width and a finished blind drop must be given to give a blind size to manufacture.

When measuring for top fixing the head rail, there has to be a recess depth minimum of 107mm to any obstruction. It is recommended to maintain a clearance of 15mm +/- 2mm from the rear of the vanes to any obstruction.

It is important to note that when the blind is fitted within a recess there will be a gap between the recess walls and the end vanes of 83 - 88mm +/- 2mm when the vanes are in the open position as shown in fig (c). The consumer should be made aware of this. There is nothing that can be done to widen the coverage if there is insufficient window framing to provide privacy.

Face Fitting:

When measuring for face fitting it is important to be aware that when the vanes are in the open position there is a gap between the outer edge of the head rail and the end vanes of 80-85mm +/- 2mm. Make sure there is sufficient coverage to cover the window by adding 160-170mm to the width measurement (blind/head rail size).

Allusion™ Fascia

Recess fitting:

The Allusion™ Fascia is a recess/top fixed blind only. If a recess size is given, we will take off 10mm off the width and a finished blind drop must be given to give a blind size to manufacture.

When measuring for top fixing the fascia, there has to be a recess depth minimum of 145mm to any obstruction. It is recommended to maintain a clearance of 15mm +/- 2mm from the rear of the vanes to any obstruction when the blind is in the open position.

It is important to note that when the blind is fitted within a recess, there will be a gap between the recess wall and the end vanes of 83-88mm +/- 2mm and when fitted outside of a recess 80-85mm +/- 2mm between the fascia end cap and the end vanes when the vanes are in the open position. The consumer should be made aware of this. The distance from the top of the vanes to the recess ceiling will be 62mm +/- 2mm.



FITTING

Slimline Vogue®

Recess Fitting:

There is a choice of two top fix brackets available:

- 1325 spring top fix bracket
- 1320 screw top fix bracket

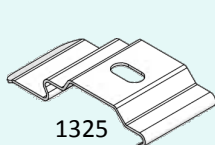
Colours available are White and Black (1320 screw only in White). The Anthracite head rail will be supplied with 1325 spring in Black. The minimum bracket fixing screw distance from any obstruction is 93mm +/- 2mm.

Face Fitting:

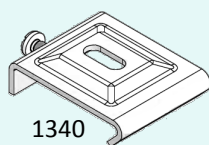
There is a choice of three face fitting brackets available.

- 1352 Shallow Face Fix bracket (wall to head rail front 111mm)
- 1340 Small Extension bracket (wall to head rail front 135mm to 185mm)
- 1350 Large Extension bracket (wall to head rail front 167mm to 210mm)

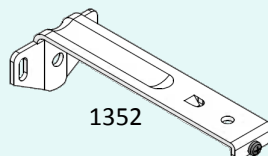
Colour available in White only.



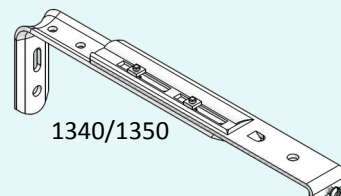
1325



1340



1352



1340/1350

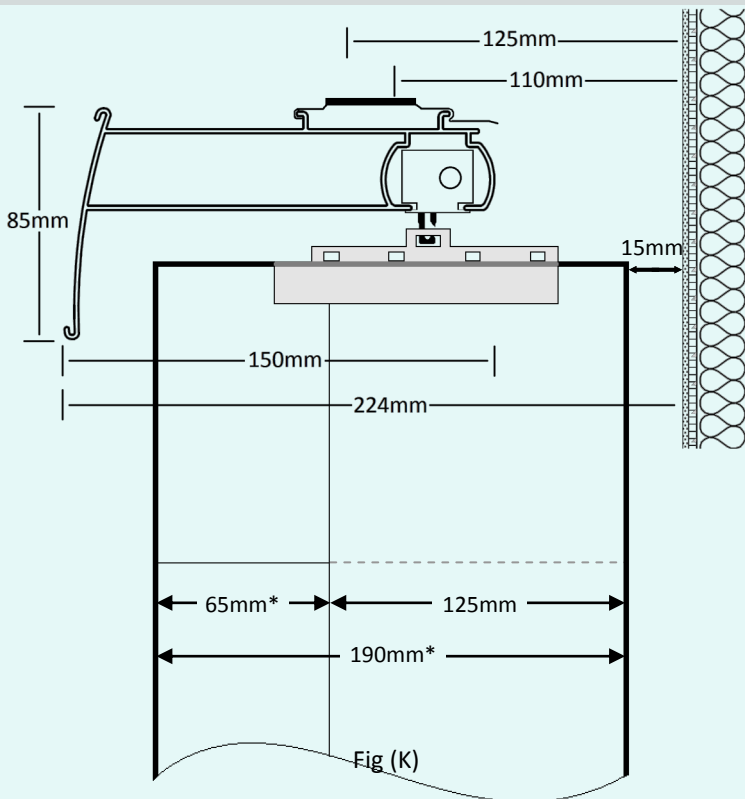
Fig (D)

ALLUSION™ BLIND DIMENSIONS

Allusion™ Fascia

- Fascia depth - 150mm
- Fascia front depth to wall - 224mm
- Fascia front depth to wall - 74mm
- Fascia height - 85mm
- Fixing screws to wall - 125mm & 110mm
- Vane rear edge to wall - 15mm
- Vane top edge to ceiling - 62mm
- Truck hook to wall - 98mm
- Vane width (drawn) - 190mm*
- Vane width (stacked) - 205mm*
- * (These dimensions are approximate as the hanger spacings can vary)

Any obstructions should be taken into account before measuring. All dimensions are subject to a +/- 2mm manufacturing tolerance.



ALLUSION™ BLIND DIMENSIONS

Slimline Vogue® Head Rail

- Head rail depth - 38mm
- Head rail front depth to wall - 112mm
- Head rail rear depth to wall - 74mm
- Head rail height to ceiling - 32mm
- Fixing screws to wall - 92mm
- Vane rear edge to wall - 15mm
- Vane top edge to ceiling - 53mm
- Truck hook to wall - 98mm
- Vane width (drawn) - 190mm*
- Vane width (stacked) - 205mm*
- * (These dimensions are approximate as the hanger spacings can vary)

Any obstructions should be taken into account before measuring. All dimensions are subject to a +/- 2mm manufacturing tolerance.

