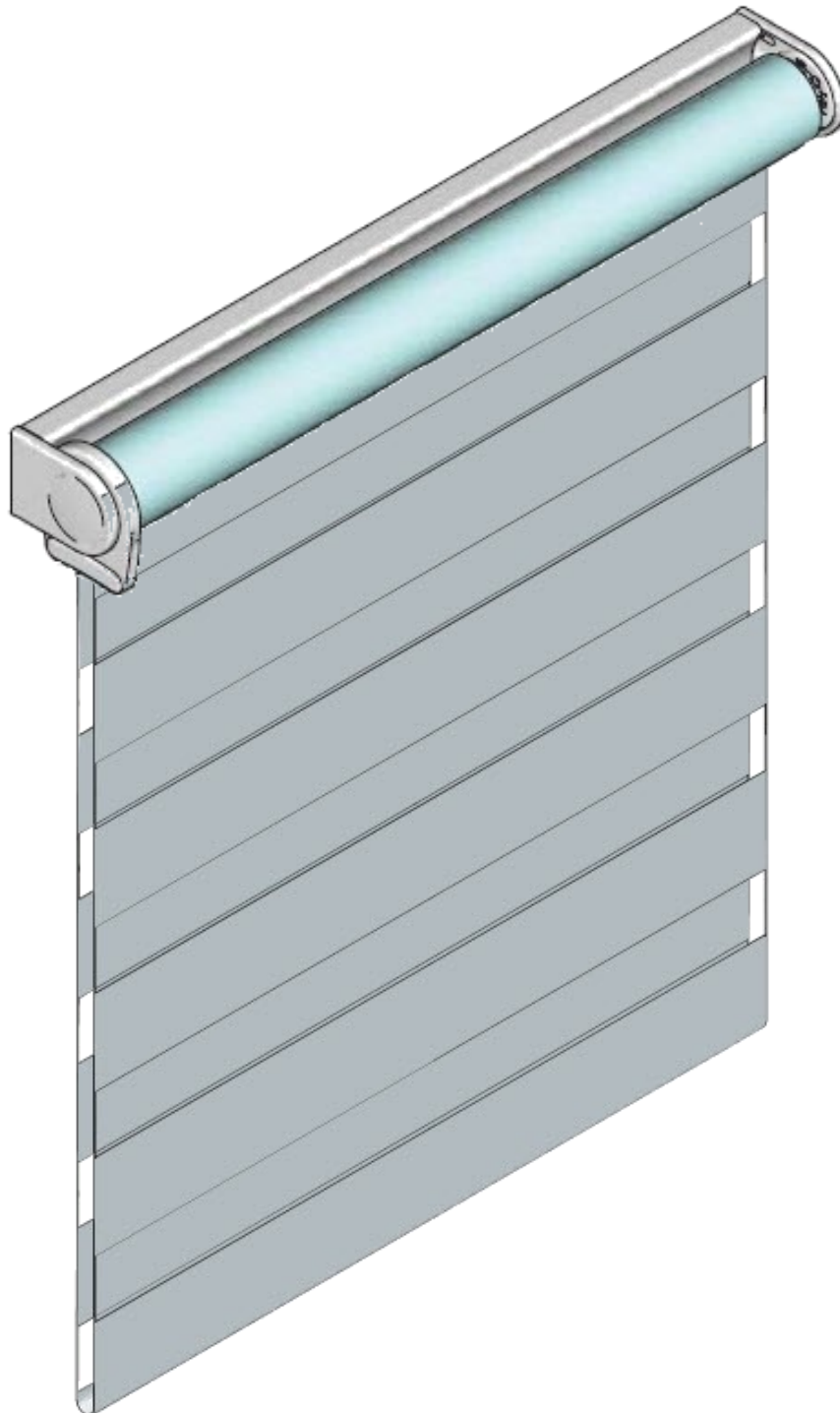


Data Sheet: Twist® Roller Blinds

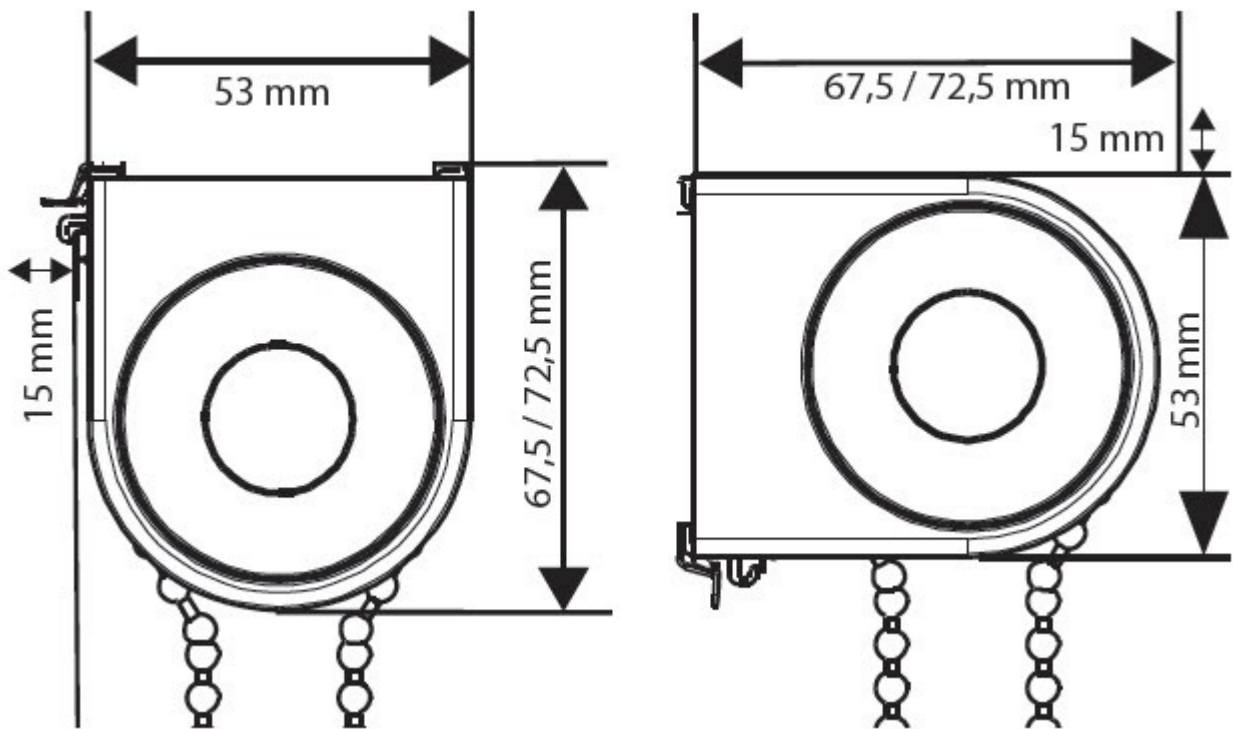


Luxaflex® Twist® Roller Blinds Data Sheets

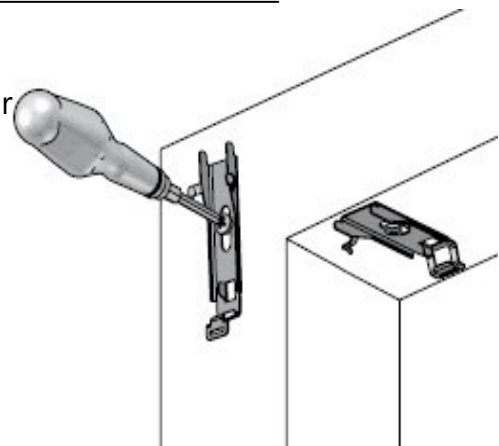
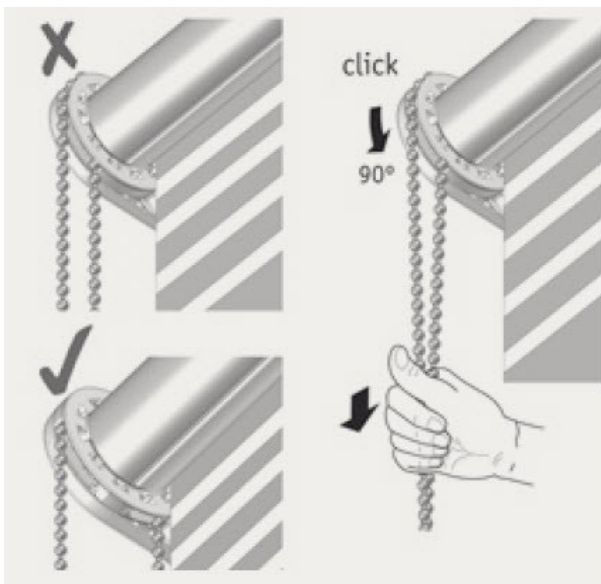
2016



Data Sheet: Twist® Roller Blinds



Luxaflex® Twist® Roller Blinds can be fixed either top or face. Please note if 'Top Fixing' this will affect your drop by 50mm approx.



If 'Top Fixing' the chain control will have to be altered. The mechanism can be altered by pulling the chain down 90°.

Designer Option:

- Pearl Chrome bracket, with anodized aluminium mounting profile.
- Plastic insert caps are available in 3 colours: White (Std), Grey or Black
- Ideal for Outside Recess Mount.



Data Sheet: Twist® Roller Blinds

Size Limits

Operation	Width in mm		Drop in mm	
	Min	Max	Min	Max
Chain	400	2750	300	2600
Crank Rod	400	2750	300	2600
Electric	400	2750	300	2600

- Maximum dimensions depend on the fabric, see chart below.
- There are no area limitations

Recess Reductions:

Width: 5mm Drop: 5mm

Fabric Size Limitations

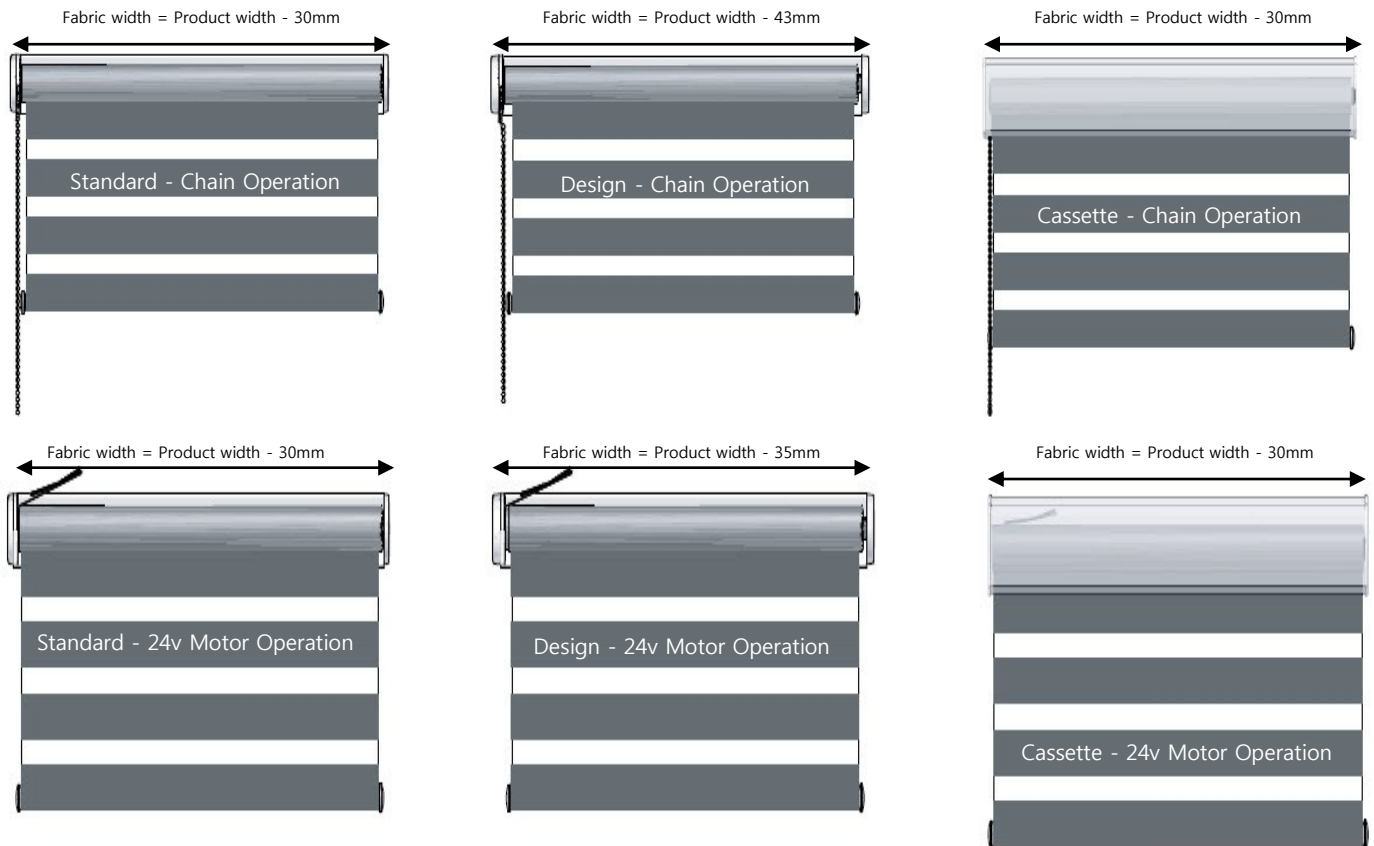
Fabric Name	Pitch Size	Min Width	Max. Width	Min. Drop	Max. Drop
Akemi	7.5 x 5cm	400	2550	300	2600
Allegory FR	7.5 x 5cm	400	2350	300	2600
Carpe Diem	7.5 x 5.5cm	400	2750	300	2600
Ghazal	7.5 x 5cm	400	2350	300	2600
Poetry	7.5 x 5.5cm	400	2750	300	2600
Rhyme	11 x 7cm	400	2350	300	2600
Rondeau	7.5 x 5cm	400	2650	300	2600
Rumi	7.5 x 5.5cm	400	2750	300	2600
Sonate	7.5 x 5.5cm	400	2750	300	2600
Symphony	7.5 x 5.5cm	400	2750	300	2600
Tagore	13.5 x 9cm	400	2550	300	2600
Tanka	7.5 x 5cm	400	2550	300	2600
Yeats	7.5 x 5cm	400	2400	300	2600

Please Note:

- The Flame retardant fabrics conform with B1 & M1 standards.
- Clean with a damp cloth or professionally with an Ultrasonic cleaner
- Standard finishing position will be Model A - Maximum Privacy.
- A SLIGHT 'Moiré' effect may be possible when the two transparent sections are in line with each other.
- If no dimension type is stated on the order it will be assumed that they are finished blind size.
- With any larger Twist® Roller Blinds it is advisable to use crank rod or electric operation.
- Alignment from the top or bottom is possible and should be stated on the order.
- Model A is supplied as standard unless otherwise specified.
- The maximum drop of a Twist® Roller Blind with a cassette has a different maximum compared to a standard product.



Data Sheet: Twist® Roller Blinds



Endless Chain Option:

Chain Standard is Metal Chain with a tensioning device, option of White plastic.
 Different chain lengths upon request - Installation Height Dependant.

Motor Operation:

24v Motorised Twist® Roller Blind. For more information see the Motorised section of the Luxaflex® Dealer Portal.

Child Safety

All of our products meet with the child safety requirements of the revised publication of EN 13120:2009+A1:2014, Internal blinds – performance requirements including safety.

Safety devices

A tensioning device will be provided with all chain (looped) operated products to keep the chain under continuous tension. This device **MUST** be fitted at the point of installation to ensure compliance with the child safety requirements of EN 13120:2009+A1:2014.

Control lengths

As a requirement of EN 13120:2009+A1:2014, the maximum control length is determined by the safety device used on the product as well as the drop of the blind or installation height. The chart below details the maximum length of looped control chain available.

Maximum control lengths

Safety device used	Installation Height	Loop length
Tensioning device	Not known and drop of blind up to 2.5m	Up to 1m
	Not known and drop of blind over 2.5m	Blind drop less 1.5m
	Known	Distance from floor to end of control to be at least 1.5m

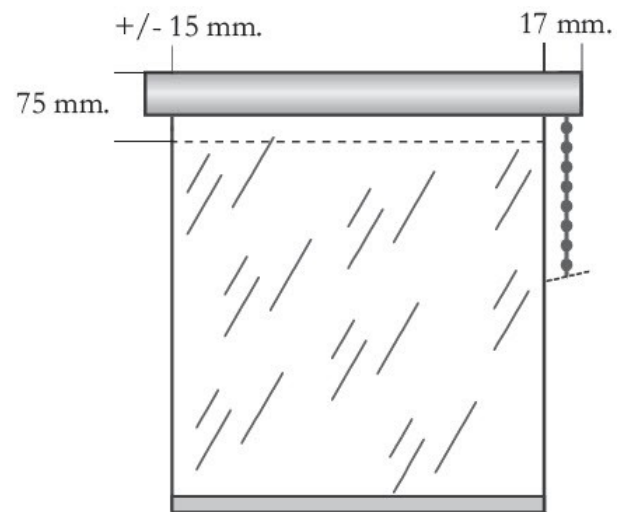
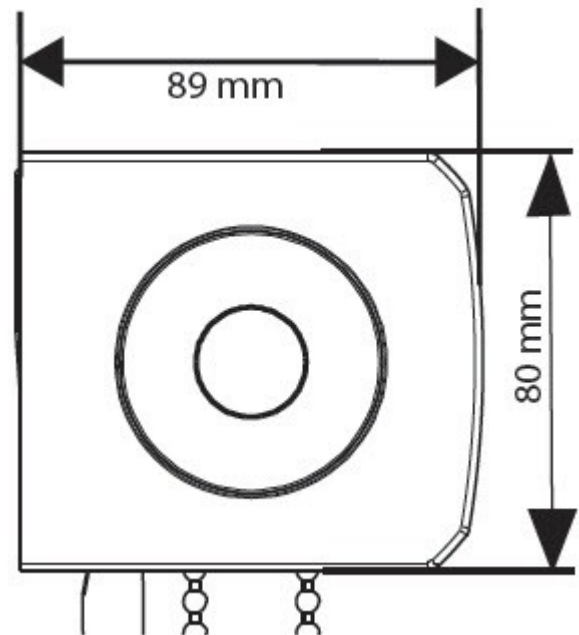


Data Sheet: Twist® Roller Blinds

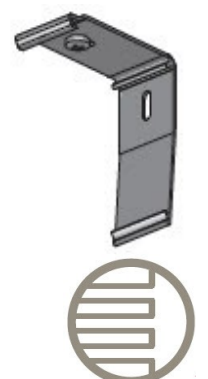
Casseted Twist Roller Blind

- Cassette available in 3 different colours: White, Aluminium & Black.
- Available with Endless Chain control.
- Alignment of different models A/B not possible.
- The maximum drop differs from standard mounting profile. See chart below.

Luxaflex® Fabric name	Cassette			
	width		height	
	min	max	min	max
Akemi	400	2550	300	2600
Allegory FR	400	2350	300	2600
Carpe Diem	400	2750	300	1800
Ghazal	400	2350	300	2600
Poetry	400	2750	300	1500
Rhyme	400	2350	300	2600
Rondeau	400	2650	300	2600
Rumi	400	2750	300	2400
Sonate	400	2750	300	1800
Symphony	400	2750	300	1800
Tagore	400	2550	300	1500
Tanka	400	2550	300	2400
Yeats	400	2400	300	2400



Twist® Roller Blind Cassette



Optional fixing bracket :247511

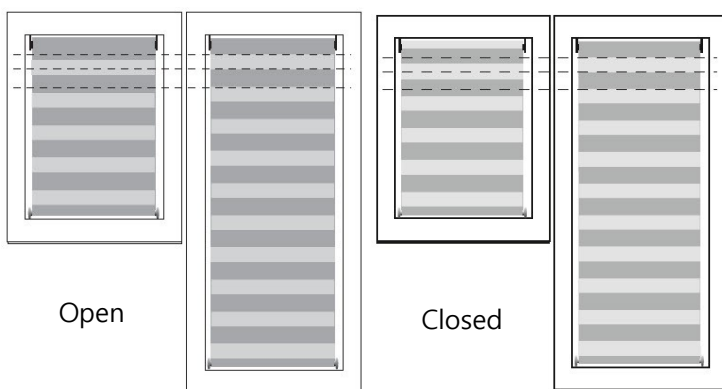
Data Sheet: Twist® Roller Blinds

Alignment

When ordering product side by side, it is important to choose which model you require (A or B) If you do not specify, Luxaflex® will assume your order is to be Model A which is privacy in the lowered position. The non-transparent panels are deeper than their transparent counterparts and therefore overlap each other completely.

If alignment of vanes is important then you will need to specify Model B, however when fully lowered complete privacy cannot be guaranteed.

When placing multiple blinds side by side, take into account the total width. We suggest no greater than 6 metres and a maximum number of 5 blinds.

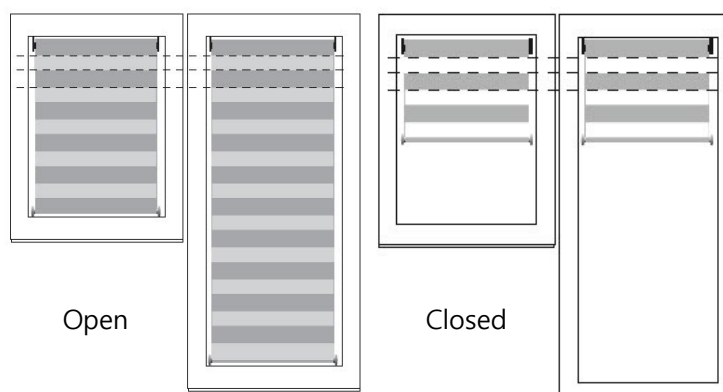


Model A

When the roller blinds are fully drawn, the fabric maintains a 'closed' position, thereby ensuring privacy. The non-transparent panels are deeper than their transparent counterparts and therefore overlap each other completely. This alignment may mean that several blinds side by side may not form a continuous line, but will provide privacy when closed.

Model B

When installing several products next to each other, the panels will neatly form a continuous line, providing that the positioning heights of the roller blinds are the same. This model is therefore particularly suitable for installing several roller blinds next to each other, however when fully lowered privacy cannot be guaranteed.



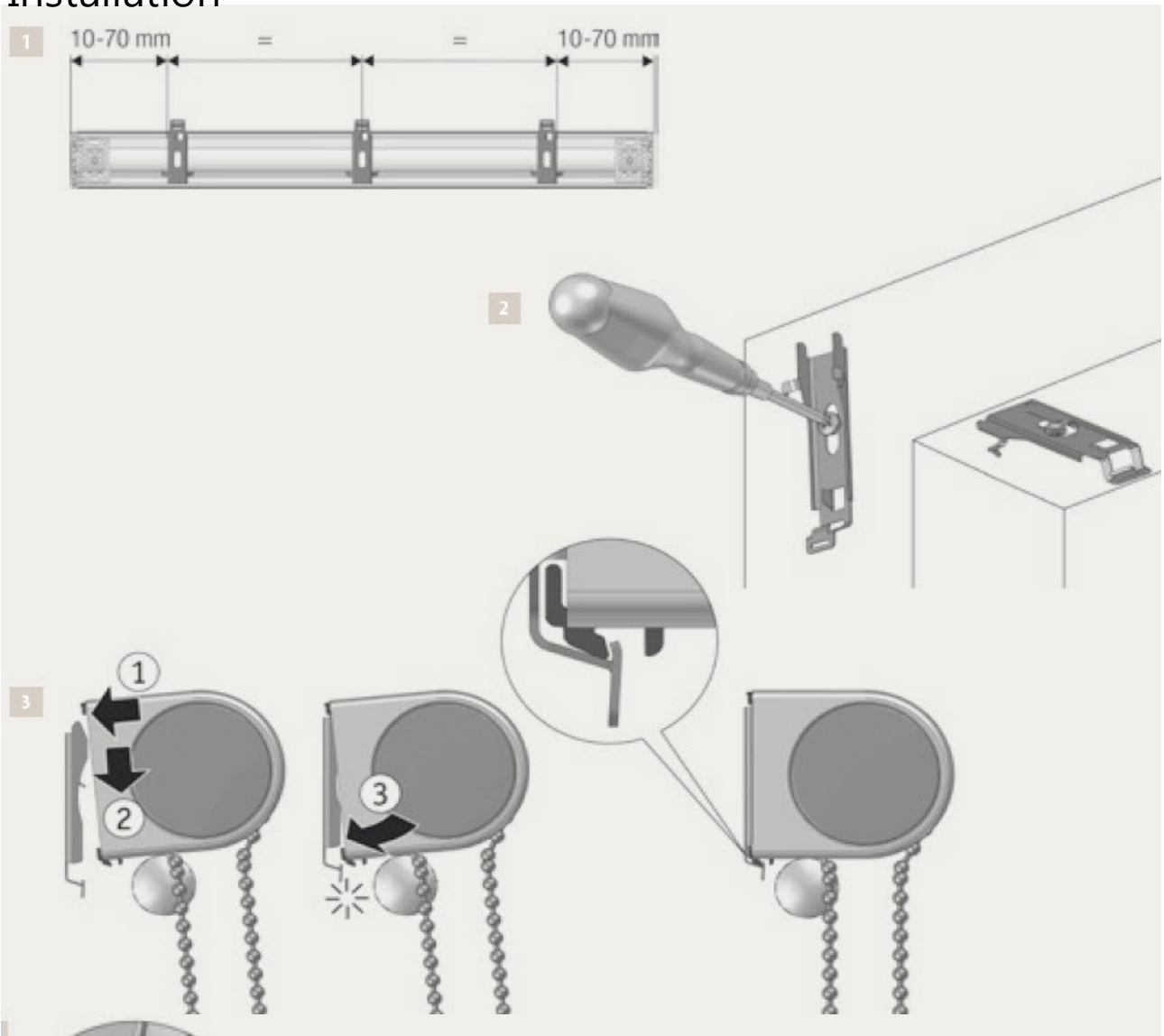
- In all cases send a clear drawing with your order.
- A combination of a product with and without cassette can not be aligned.
- When ordering Model A is supplied as standard unless otherwise specified.
- Alignment from the top or bottom is possible and should be stated on the order form.
- If no dimension type is stated on the order it will be assumed that they are finished blind



Data Sheet: Twist® Roller Blinds



Installation

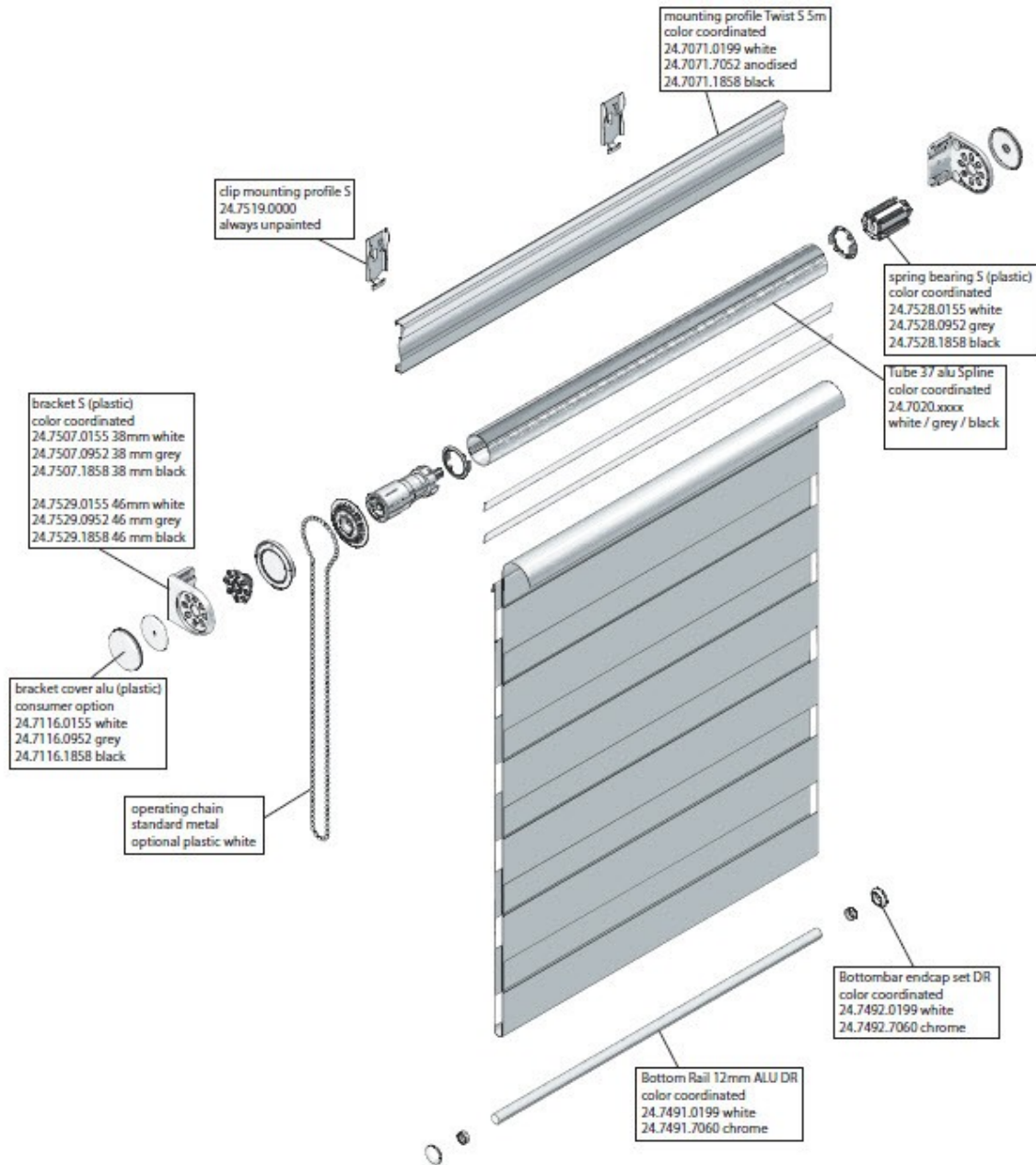





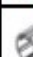








Uninstalling



Data Sheet: Twist® Roller Blinds

TWIST RB500S STANDARD CHAIN OPERATED

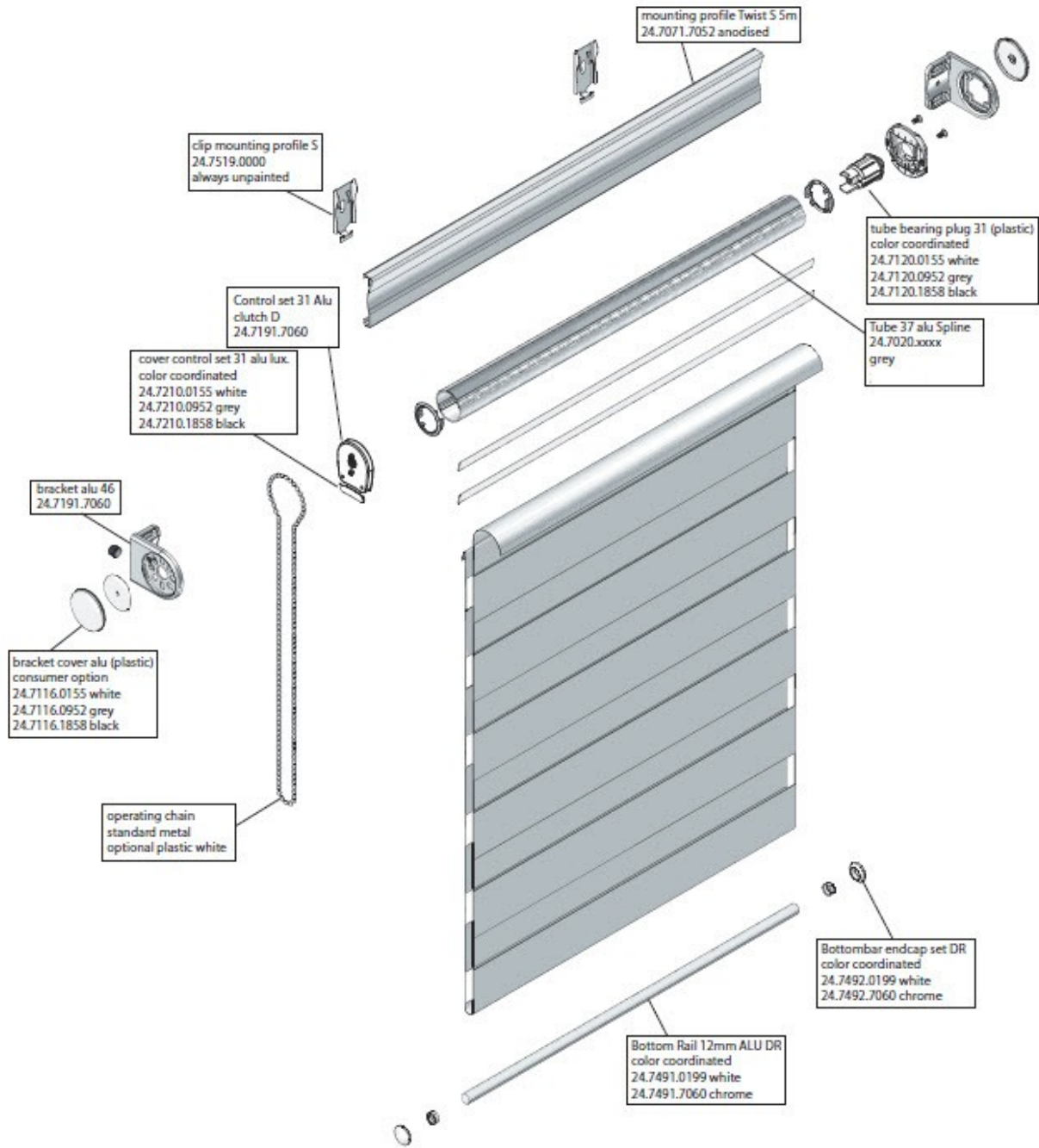


standard											option
sales	mounting profile	37mm tube	tube adapter	spring bearing S	Chain Wheel S	Chain Guide S	bracket 38mm	bracket 46mm	bottom bar	b.bar endcap	Bracket Cover Alu
											
white	2470710199	white	2476310155	2476280155	2476020155	2476090155	2476070155	2476290155	2474910199	2474920199	2471160155
grey	2470717052	grey	2476310952	2476280952	2476020952	2476030952	2476070952	2476290952	2474917052	2474927060	2471160952
black	2470711858	black	2476311858	2476281858	2476021858	2476031858	2476071858	2476291858	2474917052	2474927060	2471161858



Data Sheet: Twist® Roller Blinds

TWIST RB500S DESIGN CHAIN OPERATED



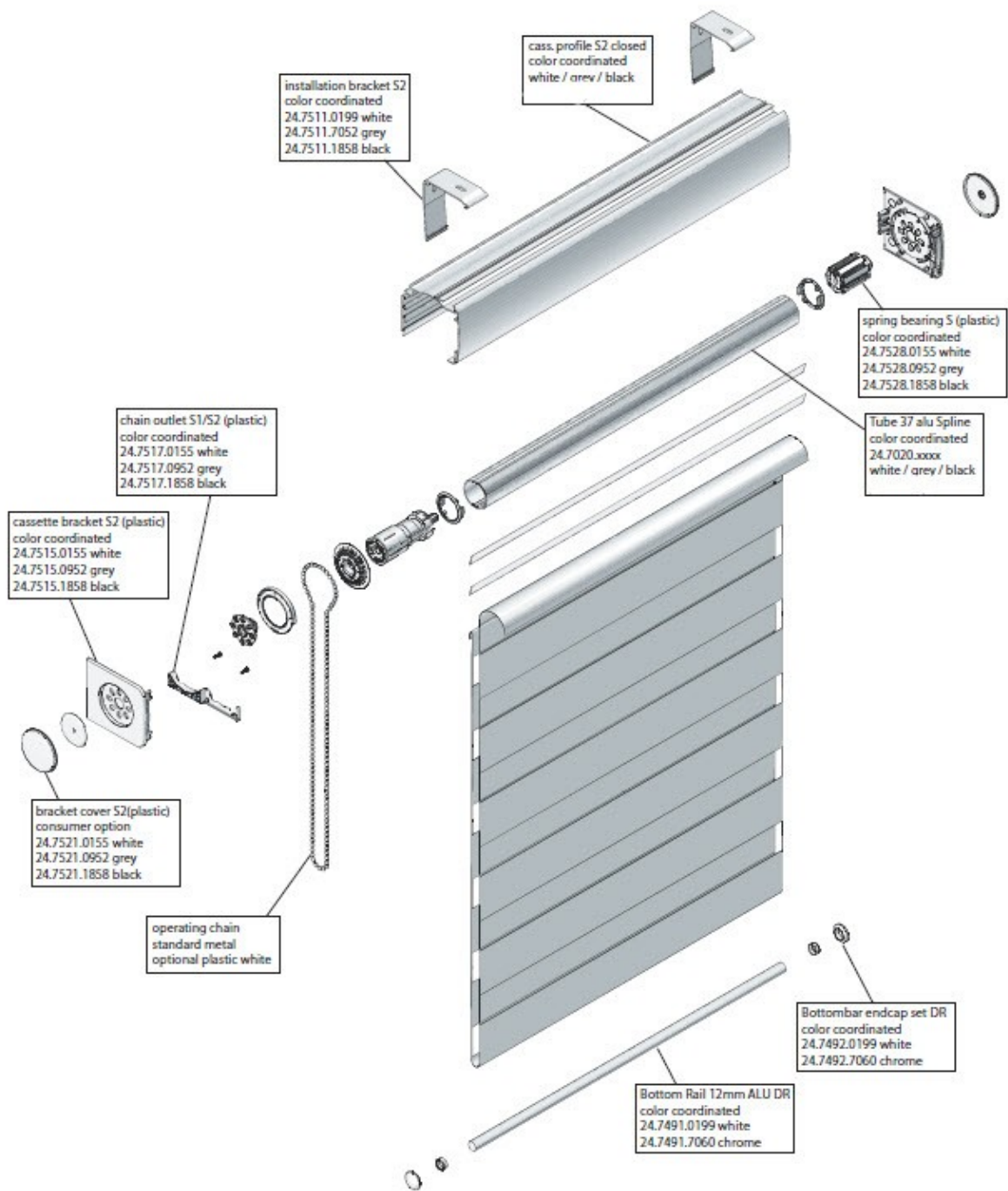
design chain - color coordination											option
sales	mounting profile	37mm tube	tube adapter	Tube Bearing Plug 31	clutch D	branding plate	Bracket Alu 46	Leveling Bracket Alu 46	bottom bar	b bar endcap	Bracket Cover Alu
white	2470717052	grey	2475310155	2471200155	2472007060	2472100155	2471077060	2471917060	2474910199	2474920199	2471160155
grey	2470717052	grey	2475310952	2471200952	2472007060	2472100952	2471077060	2471917060	2474917052	2474927060	2471160952
black	2470717052	grey	2475311858	2471201858	2472007060	2472100858	2471077060	2471917060	2474917052	2474927060	2471161858





Data Sheet: Twist® Roller Blinds

TWIST RB500S CASSETTE CHAIN OPERATED



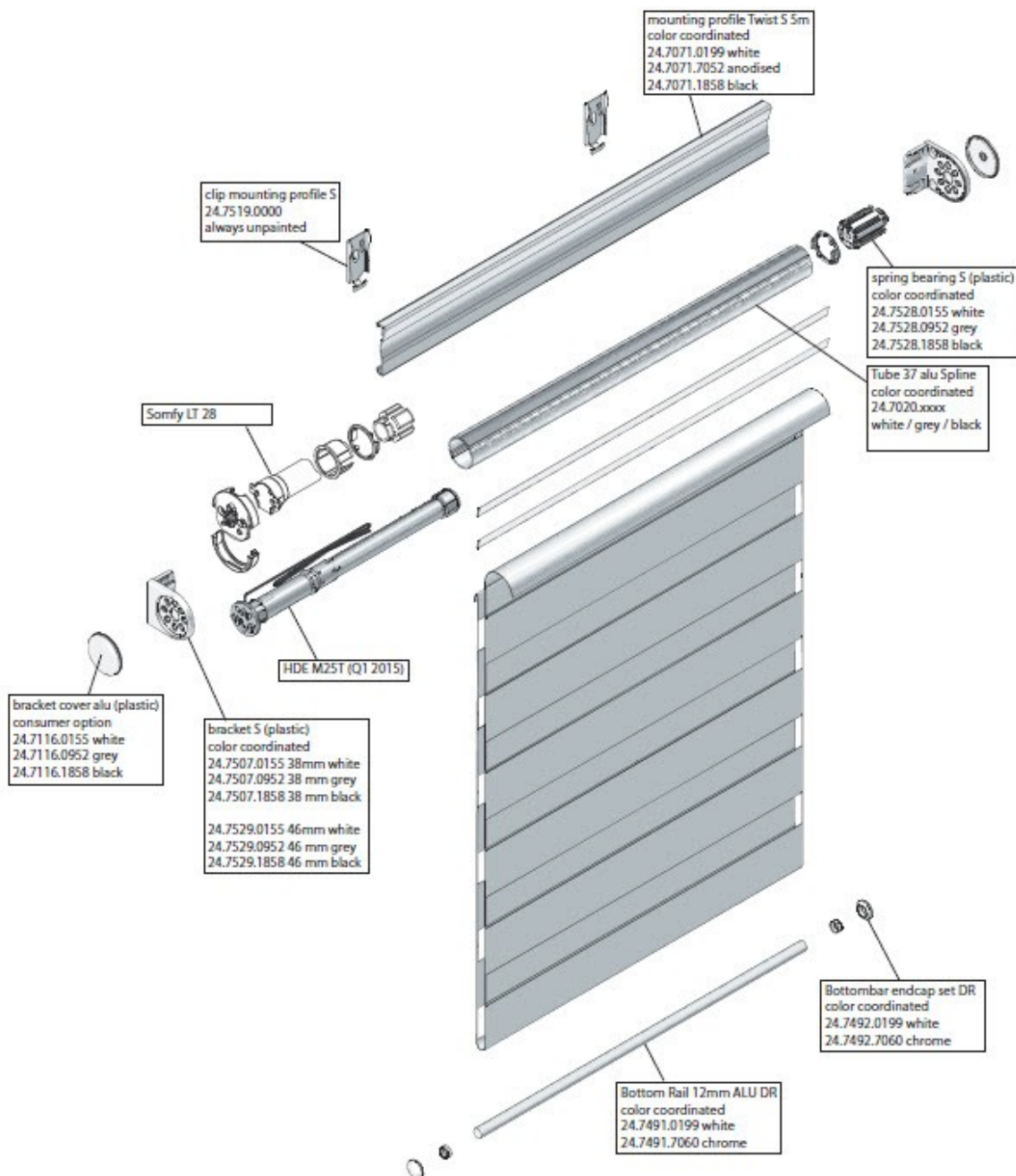
cassette chain - color coordination												option	
sales	cassette S2	Installation brackets	37mm tube	tube adapter	spring bearing S	Chain Wheel S	Chain Guide S	Cassette Bracket S2	Chain Outlet S1/S2	bottom bar	b.bar endcap		Bracket Cover S2
white	white	2475110199	white	2475310155	2475280155	2475020155	2475030155	2475150155	2475170155	2474910199	2474920199		2475210155
grey	grey	2475117052	grey	2475310952	2475280952	2475020952	2475030952	2475150952	2475170952	2474917052	2474927060		2475210952
black	black	2475111858	black	2475311858	2475281858	2475021858	2475031858	2475151858	2475171858	2474917052	2474927060		2475211858



Data Sheet: Twist® Roller Blinds



TWIST RB500S STANDARD MOTORISED

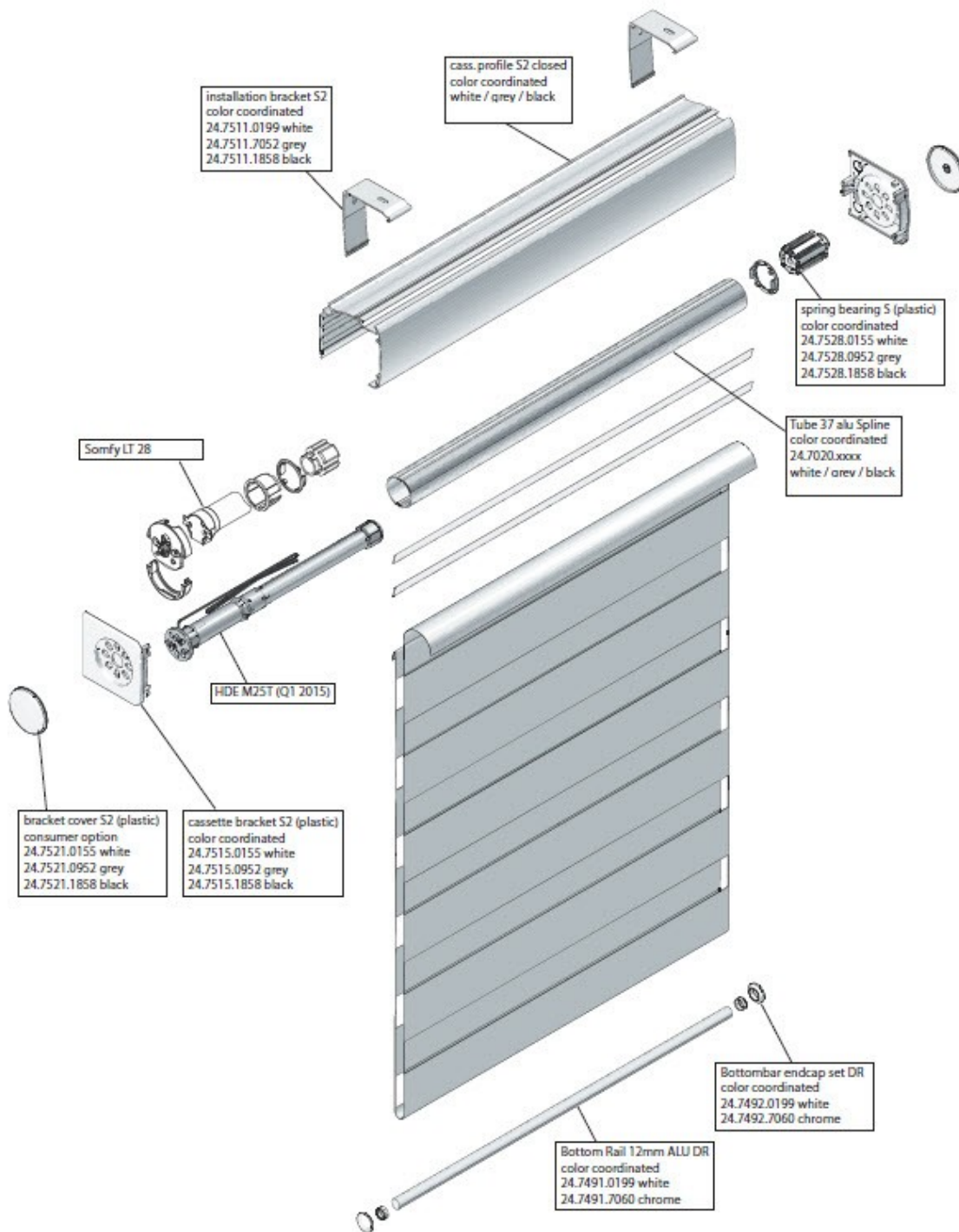













standard									option
sales	mounting profile	37mm tube	tube adapter	spring bearing S	bracket 38mm	bracket 46mm	bottom bar	b.bar endcap	Bracket Cover Alu
white	2470710199	white	2475310155	2475280155	2475070155	2475290155	2474910199	2474920199	2471160155
grey	2470717052	grey	2475310952	2475280952	2475070952	2475290952	2474917052	2474927060	2471160952
black	2470711858	black	2475311858	2475281858	2475071858	2475291858	2474917052	2474927060	2471161858



Data Sheet: Twist® Roller Blinds

TWIST RB500S CASSETTE MOTORISED



cassette motor - color coordination										option
sales	cassette S2	installation brackets	37mm tube	tube adapter	spring bearing S	Cassette Bracket S2	Chain Outlet S1/S2	bottom bar	b.bar endcap	Bracket Cover S2
										
white	white	2475110199	white	2475310155	2475280155	2475150155	2475170155	2474910199	2474920199	2475210155
grey	grey	2475117052	grey	2475310952	2475280952	2475150952	2475170952	2474917052	2474927050	2475210952
black	black	2475111858	black	2475311858	2475281858	2475151858	2475171858	2474917062	2474927060	2475211858

