

Mounting Instructions



Roller Blinds Collection

essentials



window styling



Guarantee

Dear Customer,

We thank you for choosing Luxaflex® Essentials.

In the unlikely event that the Luxaflex® product guarantee service is needed, please contact the dealer from whom the product was purchased. Alternatively you may contact a member of our authorised Luxaflex® service network. In order to minimise any unnecessary inconvenience, we suggest that the product installation instructions are read carefully before contacting the dealer on our service network.

GUARANTEE

Luxaflex® guarantees that all Luxaflex® Essentials window covering products are free from material and assembly defects, provided that such products were properly installed in a domestic situation. For non-domestic installations, refer to the Luxaflex® general sales conditions.

The obligation of Luxaflex® is limited to repair or replacement of the defective materials or components. Repairs will be made with like or similar parts. The guarantee is limited to the original purchaser.

Scope of warranty	Year since date of purchase	
	1 yr	2 yrs
Removal of product from end user's window	X	X
Carriage (to - from factory)	✓	X
Labour (assembly / repair)	✓	X
Re-installation of product at end users window	X	X
Components (with like or similar parts)	✓	✓
Cords	✓	✓
Fabric (with like or similar fabric)	✓	✓
Consequential loss	X	X

This guarantee is invalid if the damage or failure is caused by:

- Accident • Misuse/Abuse • Alteration • Motorised devices • Exposure to elements
- Normal wear and tear • Blinds that are not fitted in a domestic situation
- Failure to follow measurement, installation, cleaning and maintenance instructions

The guarantee is exclusive and in lieu of all other obligations, liabilities or warranties. In no event shall Luxaflex® be liable or responsible for incidental or consequential damages or for any other direct or indirect damage, loss, cost, expense or fee.

The guarantee does not affect the consumers statutory rights under applicable national laws.

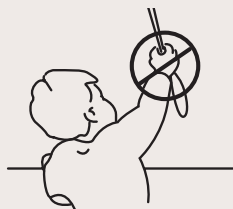


Contents

Control Options	6
Type 10 (bracket) system	7
Type 10 (bracket) system, Chain operation - Removal of the blind	8
Type 10 (bracket) system, Motorised operation	9
Type 10 (bracket) system, Motorised operation - Removal of the blind	10
Type 20 (mounting profile) system	11
Type 20 (Mounting profile) system; LiteRise®, Chain, Motorised, Battery Control, PowerView™ operation. -Removal of the blind	12
Type 30 (casseted) system	13
Type 30 (Casseted) system; LiteRise®, Chain, Motorised, Battery Control, PowerView™ operation - Removal of the blind	14
Motorised operation	15
Child Safety	16



⚠️ WARNING



- Young children can be strangled by the loops in pull cords, chains, tapes and inner cords that operate the product.
- To avoid strangulation and entanglement, keep cords out of the reach of young children. Cords may become wrapped around a child's neck.
- Move beds, cots and furniture away from window covering cords.
- Do not tie cords together. Make sure cords do not twist and create a loop.

Persons in charge of young children are ultimately responsible for following the safety instructions provided by the manufacturer and to use any safety device supplied.



make it safe

Luxaflex® is a member of the 'make it safe' campaign – the British Blind and Shutter Association's national campaign to promote window blind cord safety. For more info see: www.makeitsafe.org.uk

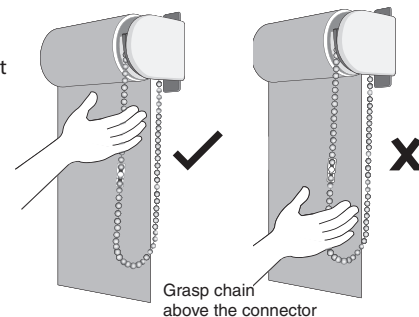
Chain operation

1) Safety chain breaks

This breakaway chain connector is pre-installed in the operating chain and is designed to safely split the chain apart if a reasonable force is applied to the loop.

If the safety connector does break apart, check to ensure it is not damaged before reconnecting.

Note! Care should be taken when raising and lowering the blind to avoid the connector breaking apart accidentally. Pulling sharply on the control chain or raising the blind by pulling below the safety breaks may result in accidental breakage.



2) Safety Clip

This device is used to prevent the control chain from forming a hazardous loop and must be fitted if supplied with this product.

- (i) **Positioning:** The safety clip shall be installed at the maximum distance possible from the control mechanism to prevent the looped cord/chain from becoming slack.

Place the chain loop inside the safety clip. Take up any slack and check to ensure that the chain is under tension. Do not apply excessive tension as this may affect the operation of the product. Mark the fixing hole at this position.

- (ii) **Fitting:**

Solid Plaster Walls:

Drill a 5.5mm hole and insert the wall plug provided before screwing into this.

Wood Fixing:

Drill a 2mm pilot hole and use the screw provided, screwing directly into the wood.

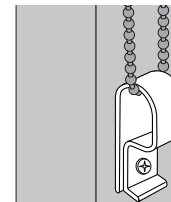
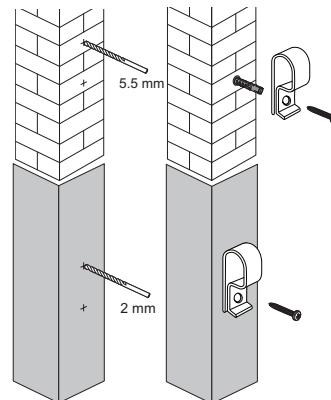
All other surfaces:

(Hollow plaster board, UPVC, Metal etc) special fixings are required for these surfaces (not supplied). You will need to purchase these separately from a DIY store.

Check that the chain is under continuous tension.



Important! Ensure the safety clip has been fitted to a sound and secure surface.





Type 10 (bracket) system

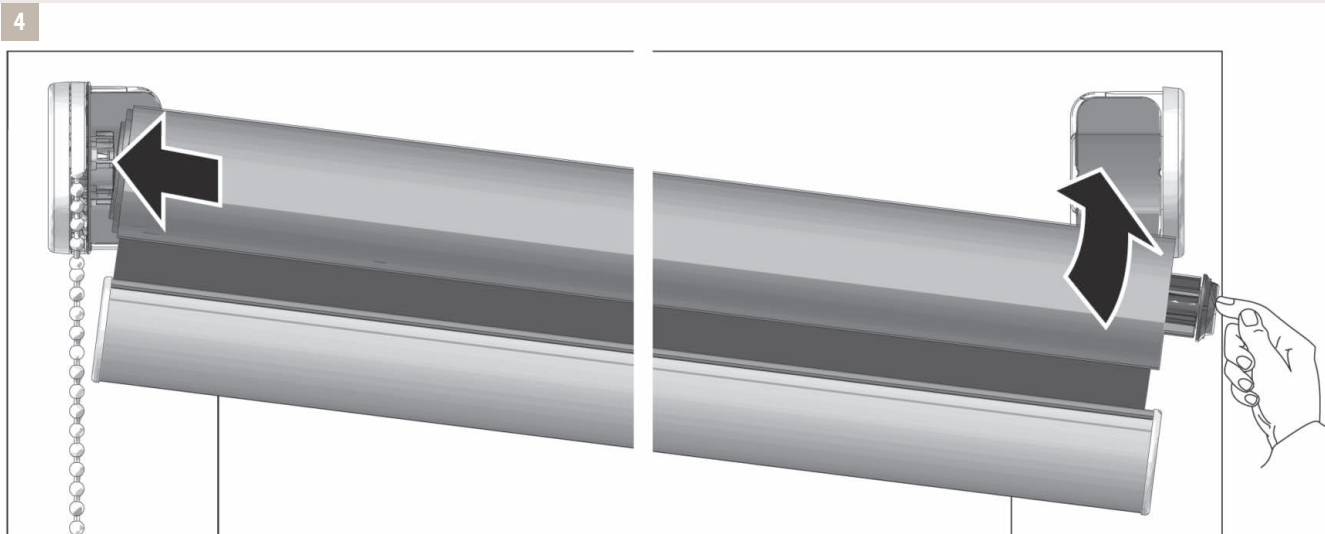
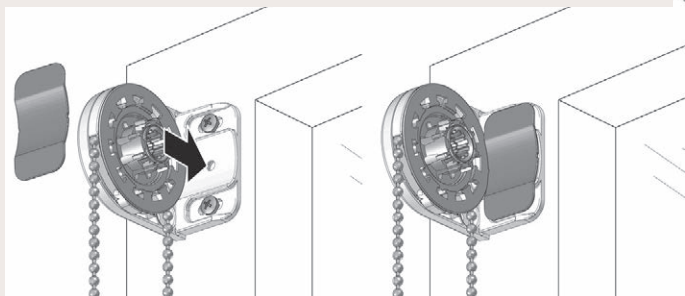
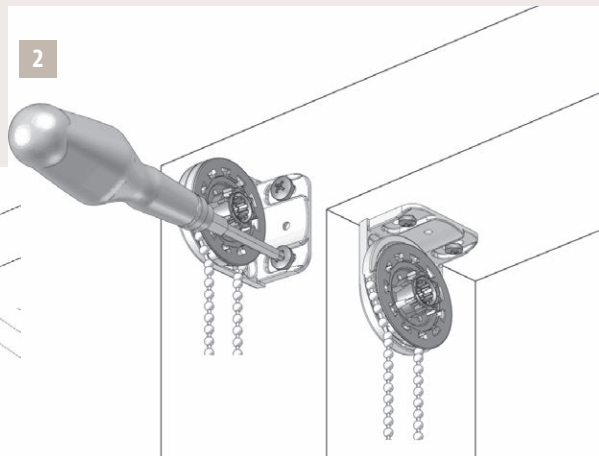
Chain Operation

Brackets can be installed either Top or Face Fixed.

When receiving your chain operated Luxaflex® Essentials Roller blind, you will discover the blind and control unit will be separate.

Firstly install both the bracket and control unit bracket then insert the tube into the fitted Control Chain side first the push the plunger in and move blind up into the bracket.

After the blind has been installed the chain should run vertically and parallel. If this is not the case the control mechanism can be altered, please see Luxaflex.co.uk for more information.





Type 10 (bracket) system, Chain operation – Removal of the blind

When removing a type 10 roller blind please ensure the correct method is used, as per the below images.

