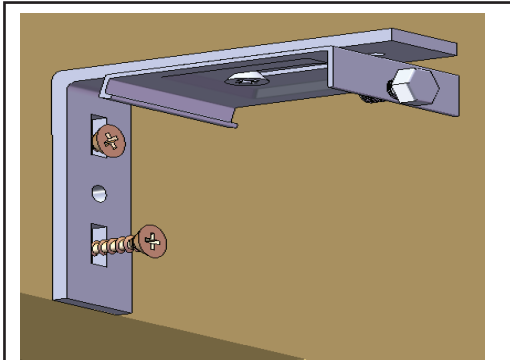
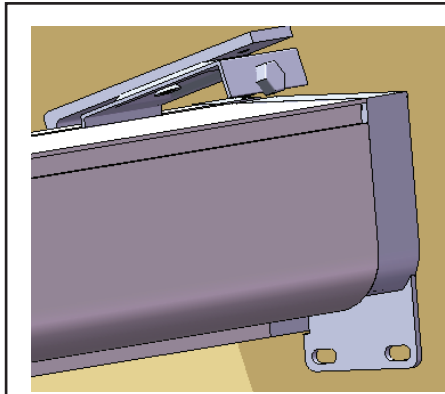


FACEFIX CASSETTE

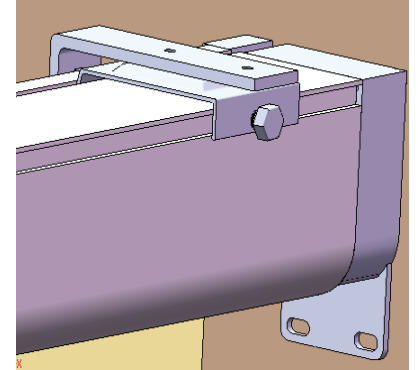
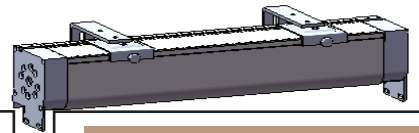


1. Assemble the brackets and mount them in the desired location on the wall using screws suited to the target material.

One bracket should be placed about 20 mm from either end of the blind. Extra brackets should be evenly spaced between these.

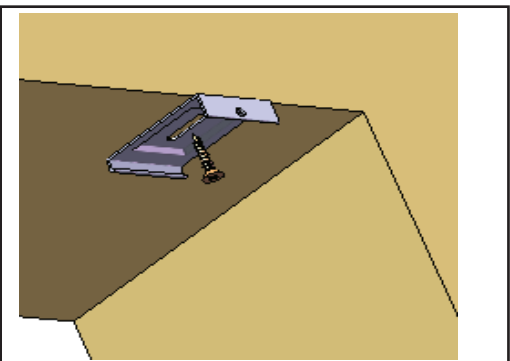


2. Attach the cassette to the bracket making sure it has caught the back lip of bracket, as shown, and rotate into a horizontal position whilst keeping it tight against the bracket.



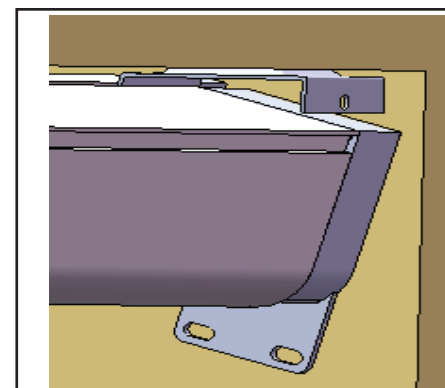
3. Once in the horizontal position tighten the bolt in each bracket, ensuring that the headrail is secure.

TOPFIX CASSETTE

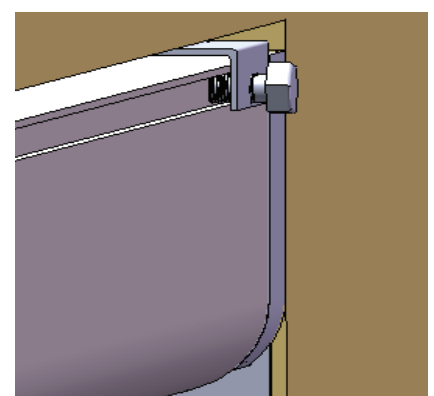
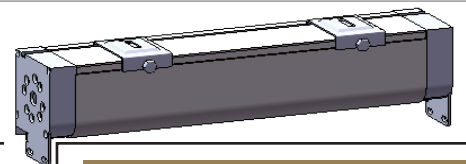


1. Mount brackets in desired location on wall using screws suited to the target material.

One bracket should be placed about 20 mm from either end of the blind. If required, extra brackets should be evenly spaced between these.

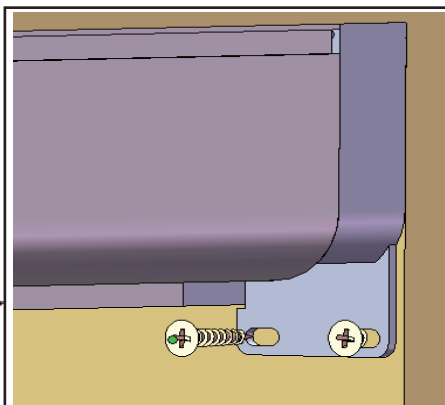
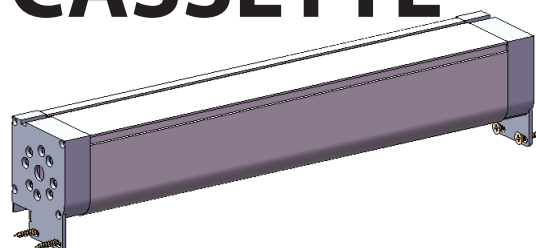


2. Attach the cassette to the bracket making sure it has caught the back lip of bracket, as shown, and rotate into a horizontal position whilst keeping it tight against the bracket.



3. Once in the horizontal position tighten the bolt in each bracket, ensuring that the headrail is secure.

SIDEFIX CASSETTE



1. Position blind flush to the top of the recess. The endcaps should fit neatly against the sides of the recess.

2. When the blind is in the desired position, mark the positions of the mounting holes on the wall.

3. Remove the blind and prepare the recess for mounting the blind (e.g. by installing wall plugs).

4. Screw the blind into position with appropriate fixings.