



## Vertical Maestro Cord & Chain Control Fitting & Operating Instructions

Louvolite Customer Services

Tel: 0161 882 5050

[www.louvolite.com](http://www.louvolite.com)

Email: [sales@louvolite.com](mailto:sales@louvolite.com)

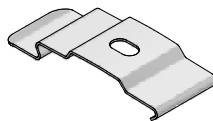
# Vertical Maestro Wand Control Fitting & Operating Instructions

Carefully unwrap the vertical blind and its associated brackets.

There are a number of bracket options for example face fix, top fix, screw fit or spring fit.



Face fix screw fit bracket



Top fix spring fit bracket

## Fitting the Brackets.

The brackets should be located to allow for the depth of the louvres on the blind. The brackets should therefore be attached to the ceiling or window frame clear from any obstruction on a line 75mm (3") for 127mm louvres or 55mm (2 1/8") in the case of 89mm louvres.

For a blind up to 1 metre wide attach two brackets fitted approximately 40mm (1 1/2") from each end of the blind. Any intermediate brackets should be spaced evenly between these and as a general rule:

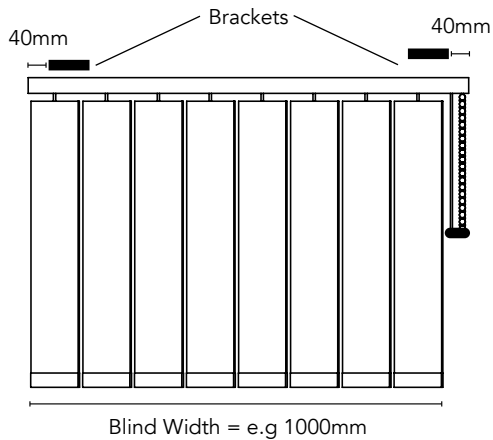
Up to 1m = 2 brackets.

1m and 2m = 3 brackets.

2m to 3m = 4 brackets.

Over 3m = 5 brackets.

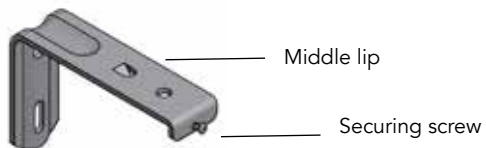
Mark the bracket hole positions before drilling and plugging if necessary. Use two screws for a face fix bracket and one screw in a top fix bracket ensuring that the brackets are level. Remember to allow room for the blind to clear any obstacles when deployed, e.g. door or window handles.



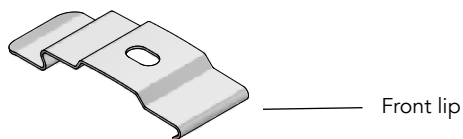
### Fitting the Track.

The track should be fitted into the brackets keeping the operating cords on the side of the blind as ordered (LH/RH control).

If using a face fix screw fit bracket, locate the blind with the groove on the back of the headrail and fit it into the middle lip of the bracket. Now push the blind upwards until the headrail is sitting level on the bracket before tightening the securing screw from the front of the blind. Do not over tighten these screws, it is unnecessary and may damage the track.



If using a top fix spring clip bracket you should push the track upwards then tilt away from you to locate the spring bracket front lip into the front groove on the track. Push upwards and the track will click into place.

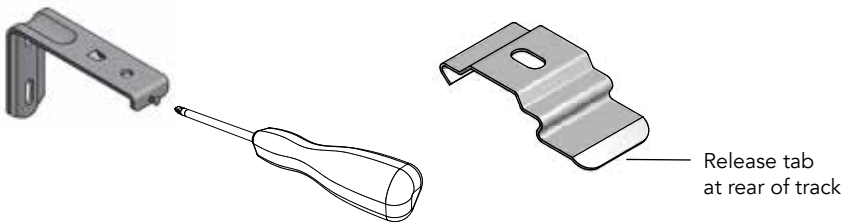


## Removing the Track.

Before removing a track first take down all the louvres from the blind and release the cord and chain from the cord tidy.

With brackets that have retaining screws, unscrew the retaining screw sufficiently to clear the groove on the blind track. Repeat this with each bracket and the track will come away.

For spring clip brackets push upwards against the tab at the back of the bracket to release the blind from the track. Do this with each bracket and the track will come away.



## Fitting the Louvres

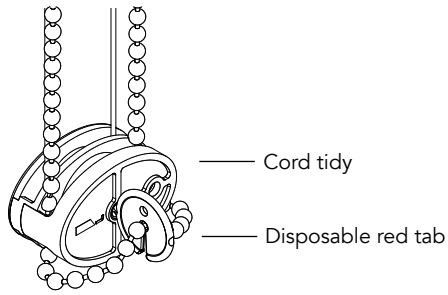
Turn the hooks on the carriers of the track so that the slots are at 90 degrees to the track. Hang the louvres and ensure the seams are all facing the same direction. The blind is now ready to operate.

## Tensioned System using double cord tidy.

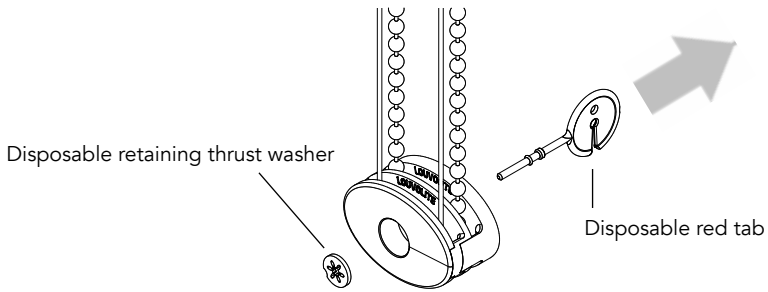
If the blind is fitted with a continuous loop chain then a cord tidy will be attached to the chain. This must be fitted to the wall as follows.

## Fitting a side fix cord and chain tidy.

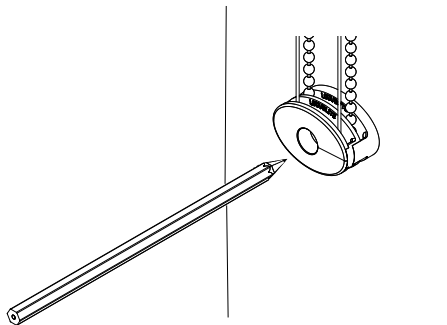
The cord tidy is a three piece device with a back plate, a centre piece and a front plate. The space between back and centre pieces will hold the chain and the area between the centre and front plate will hold the cord. The cord tidy will arrive with a red tab fitted to it.



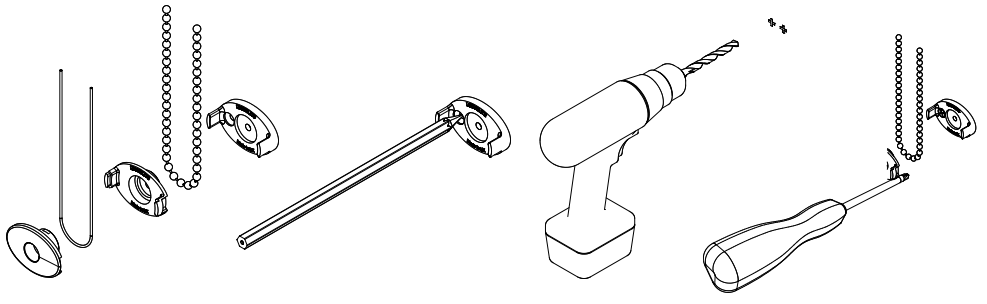
Remove the red tab by freeing up the chain and then pulling out the red tab.



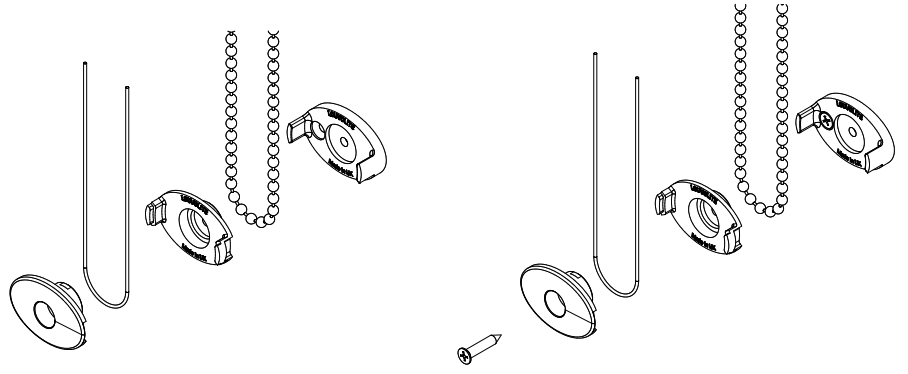
Position the cord tidy to the wall at the furthest distance below the vertical system adding appropriate tension to the cord and chain and mark its location.



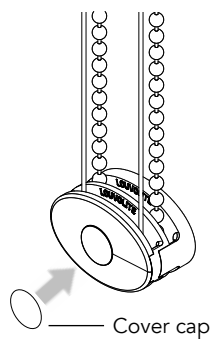
Split the cord tidy and mark the remaining offset hole position before drilling and plugging both location holes if necessary.  
Use both of the holes to fix the back piece of the cord tidy to the wall.



Re-assemble the cord tidy with the cord and chain and fix it in position with a screw through the centre hole.

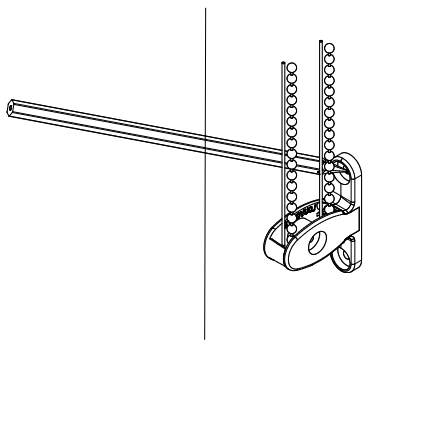


Push fit a cover cap over the screw hole opening.

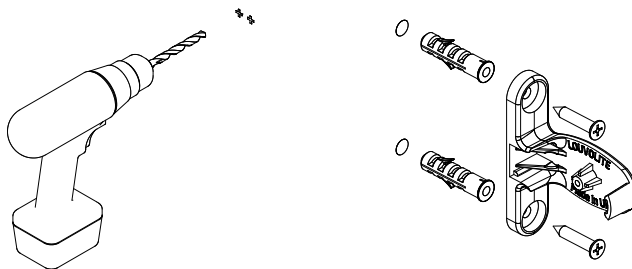


## Fitting a face fix cord and chain tidy.

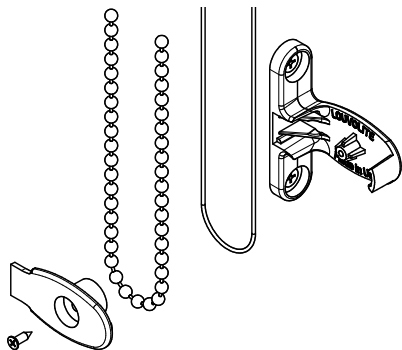
Position the cord tidy to the wall at the furthest distance below the headrail adding appropriate tension to the cord and chain and mark its location.



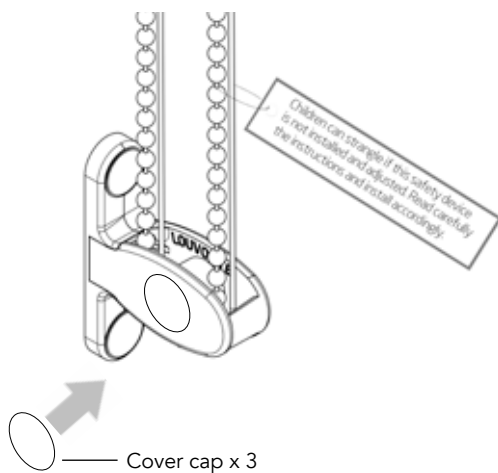
Mark the remaining hole position before drilling and plugging both location holes if necessary.



Attach the cord and chain cover plate with the screw provided.



Push fit a cover cap over the screw hole opening.





## Operating the blind.

The cord and chain by definition has two controls. The cord which moves the louvres across the track and the chain which rotates the louvers between open and closed.

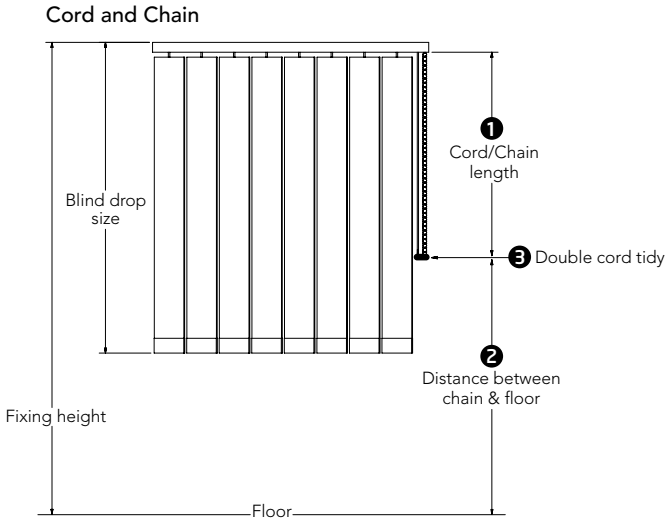
To enable the louvres to traverse the track pull down on the cord, to restore the louvres pull down on the other strand of the cord. To rotate the louvres pull down on the chain, to restore the louvres pull down on the other strand of the chain.

Note: Do not traverse the blinds with the louvres in the closed position always turn them 90 degrees to the track before operating the cord control.

# Notes

# Notes

# Child Safety - BS EN 13120 Guidelines for Vertical Blinds



## 1 If fixing height is unknown

- Blind drop  $\leq$  2.5 metres, the cord/chain length must be  $\leq$  1 metre.
- Blind drop  $>$  2.5 metres, the cord/chain length must be drop of blind minus 1.5 metres.

## 2 If fixing height known

All blind drop sizes, distance between floor and bottom of cord/chain must be greater than 1.5 metres.

## 3 Cord tidy

Affix cord tidy to wall at the maximum distance possible from the blind control mechanism ensuring all operating cords are taut (cords no more than 50mm apart at entry/exit of cord tidy).

**NOTE TO INSTALLER:** Please ensure general child safety warning tag is fitted on the product.

### WARNING

Young children can be strangled by loops in pull cords, chains, tapes and inner cords that operate the product.

To avoid strangulation and entanglement, keep cords out of the reach of young children. Cords may become wrapped around a child's neck. Move beds, cots and furniture away from window covering cords.

Do not tie cords together. Make sure cords do not twist and create a loop.

