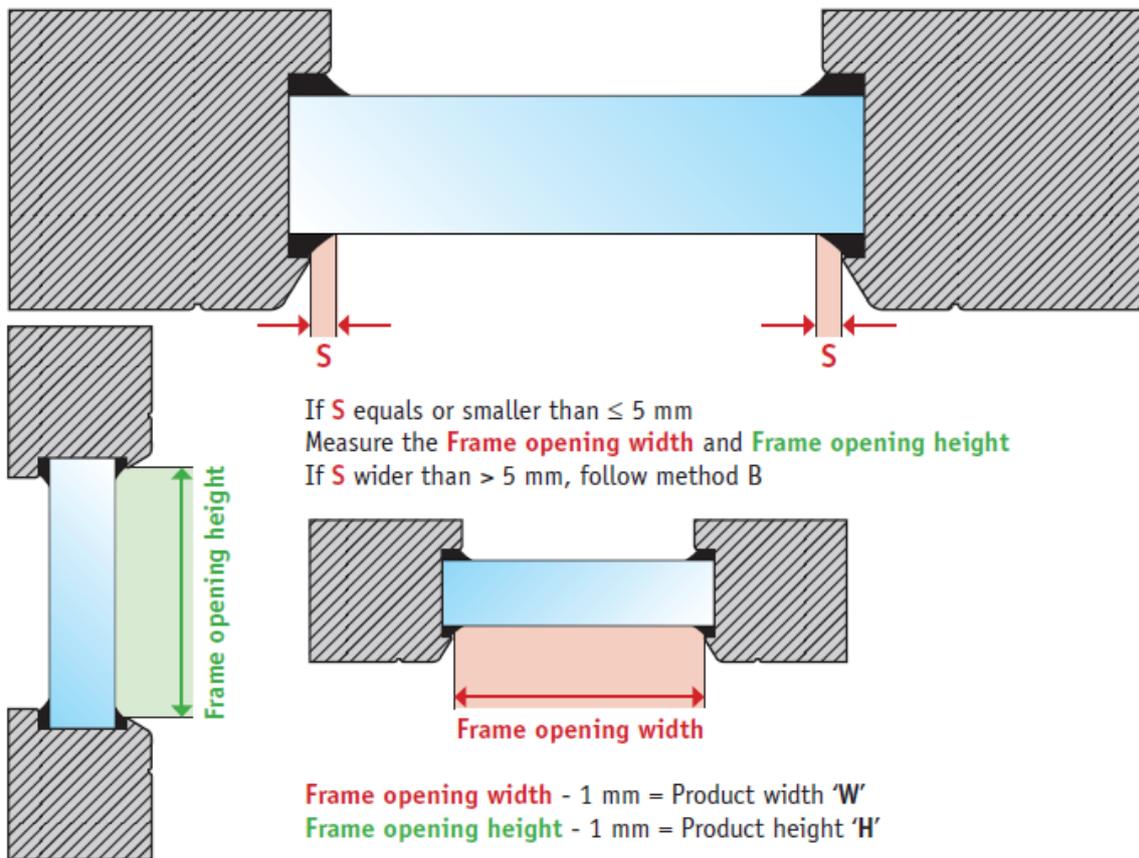


Measuring for Luxaflex® TruFit™

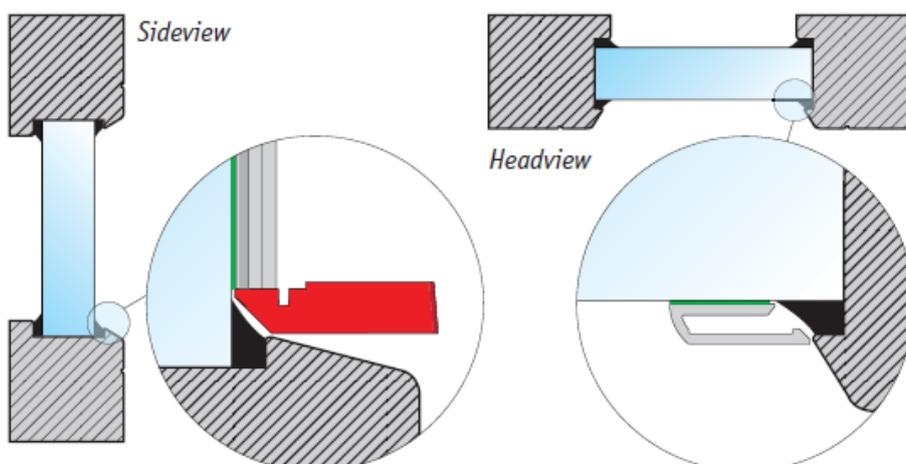
This product should always be ordered as a finished blind size.

There are three basic measuring methods depending on the frame type, gasket size, etc, as follows:

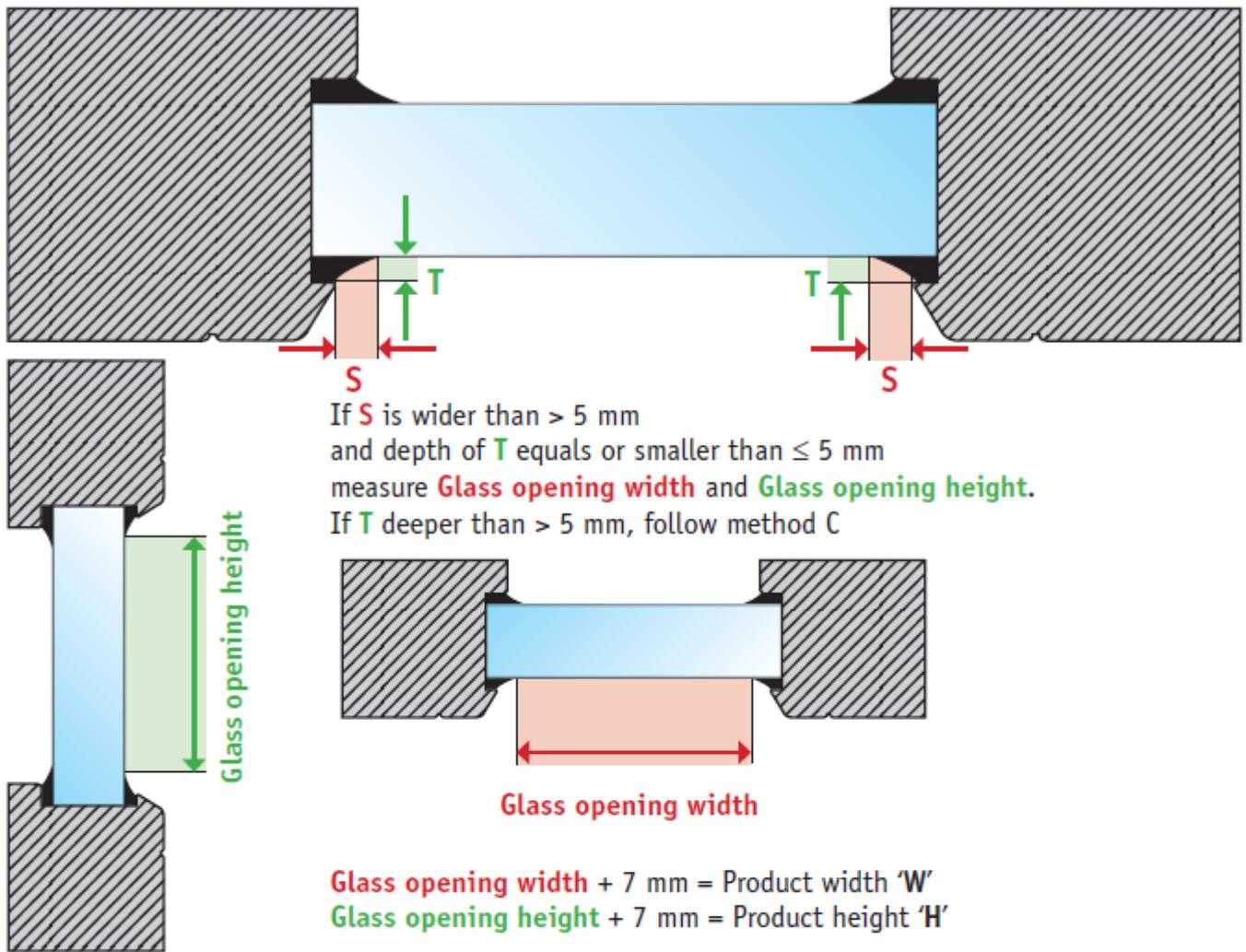
4.2 MEASURE METHOD A MOST COMMON FOR WINDOWS WITH PVC FRAME



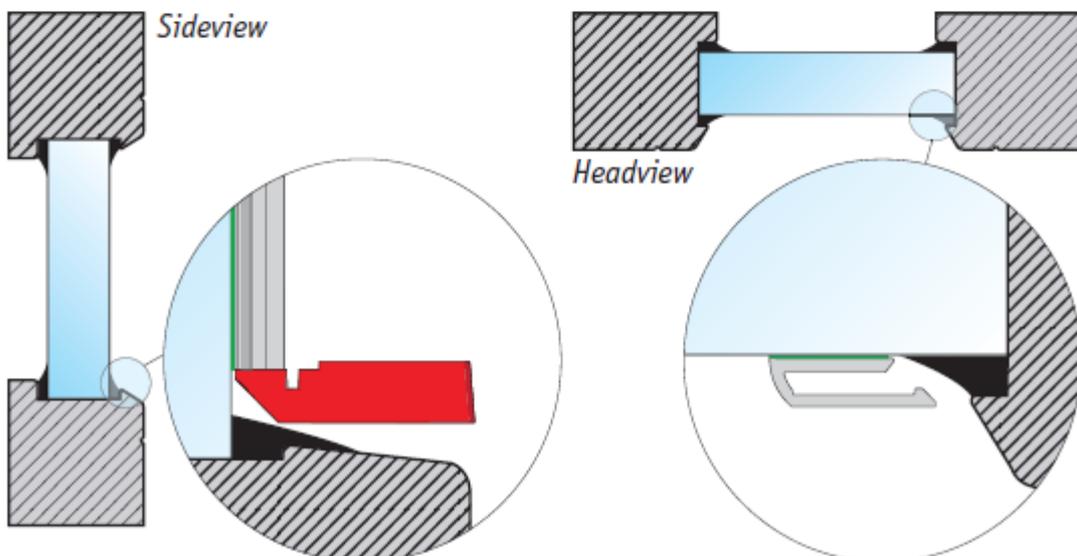
Example; mounted c-profile onto glass



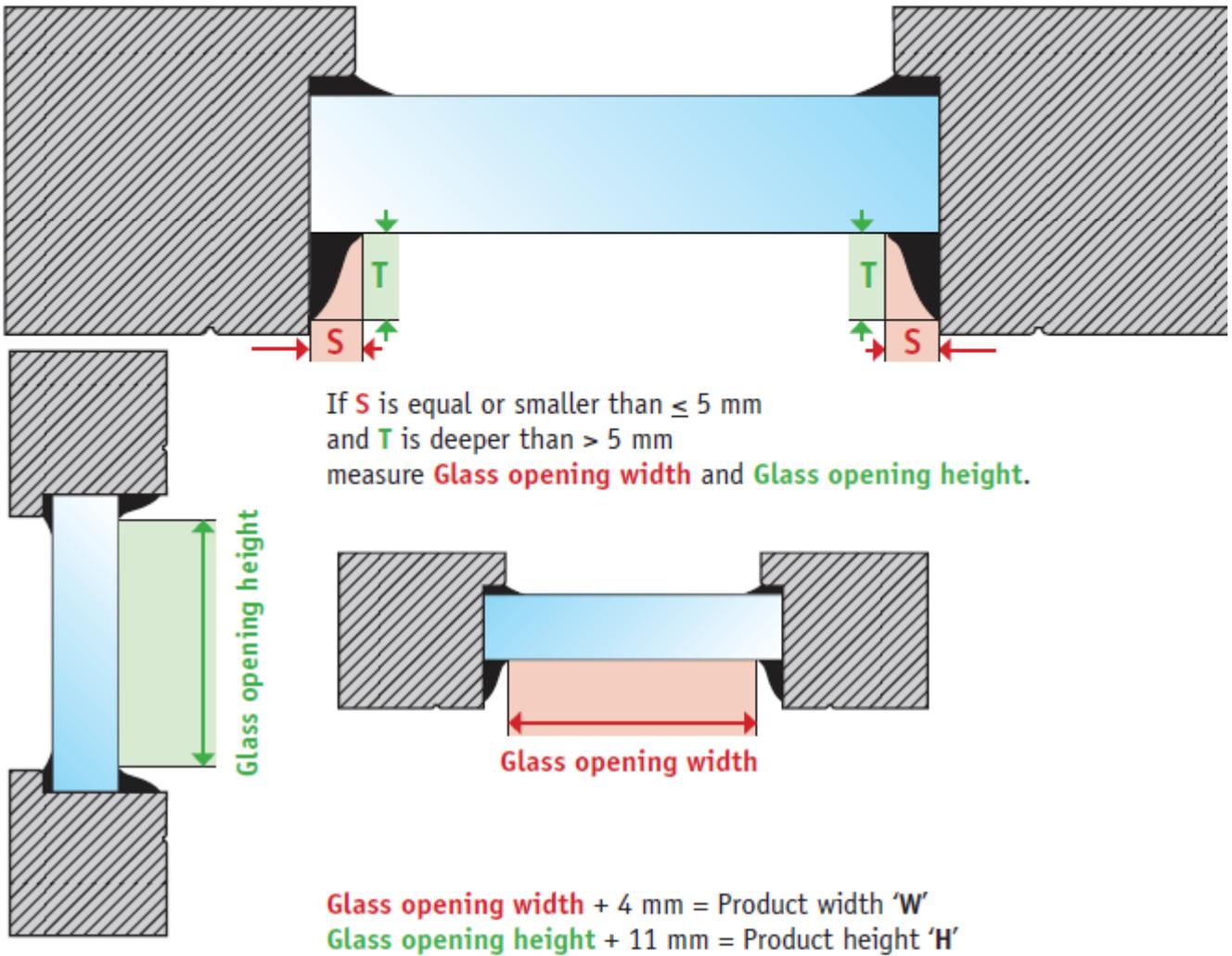
4.6 MEASURE METHOD B
 MOST COMMON FOR WINDOWS WITH ALUMINIUM FRAME



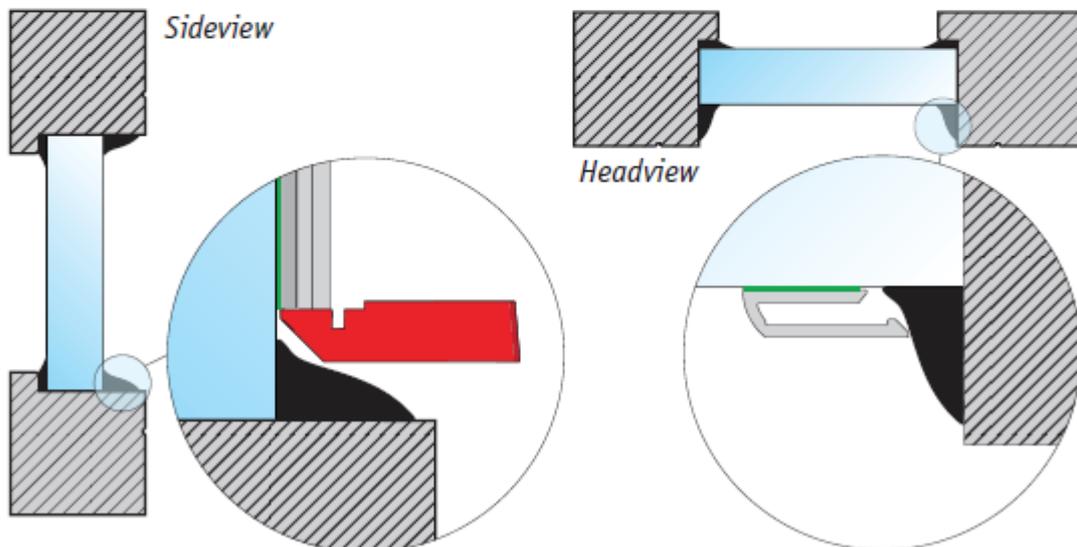
Example; mounted c-profile onto glass



4.8 MEASURE METHOD C
 MOST COMMON FOR WINDOWS WITH ALUMINIUM FRAME

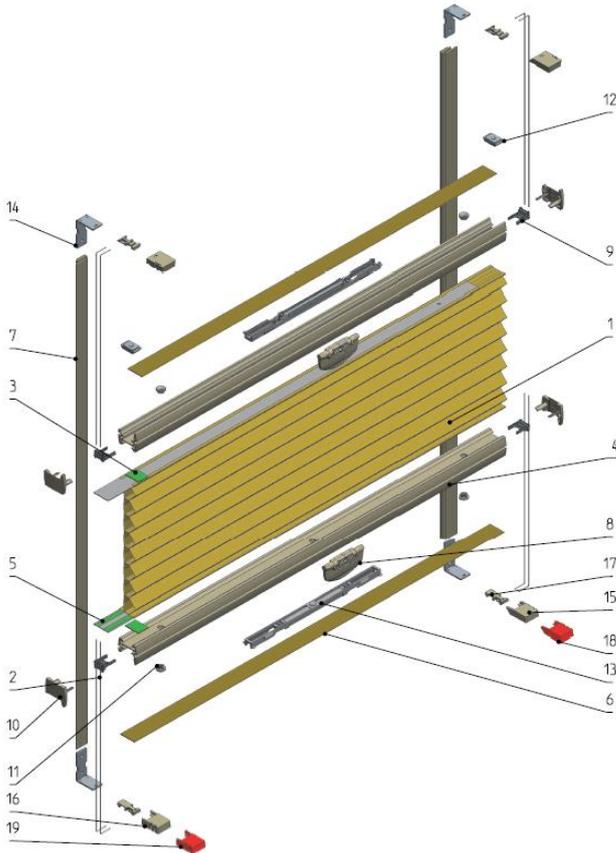


Example; mounted c-profile onto glass



Summary:

Method	Conditions	Measurement Required	Blind Size Calculation
A	Window gasket is = or < 5mm wide and < 5mm deep	Measure frame size (F.S.)	Width is F.S. – 1mm Drop is F.S.
B	Window gasket is > 5mm wide and = or < 5mm deep	Measure glass opening size (O.S.)	Width is O.S. + 7mm Drop is O.S. + 7mm
C	Window gasket is = or < 5mm wide and > 5mm deep	Measure glass opening size (O.S.)	Width is O.S. + 4mm Drop is O.S. + 11mm



ITEM NO	ART. CODE	DESCRIPTION	VARIABLES	ASSEMBLY OPTION	NEW
1	-	Fabric Duette 25	Plisee 20		
2	29.2001	CORD 0.9 P.B.			
3	29.3115	FABRIC STICKER 16x12			
4	29.7152	SHUTTLERAIL 20			
5	29.7157	INSERTSTRIP TAPED 20			
6	29.7162	COVERSTRIP 20 ROLL		29.7159	
7	29.7190	C-PROFILE TAPED			New
8	29.7214	HANDLE 5F ASSY		29.7741	New
9	29.7500	3 HOLE INSERT FOR ENDCAP			
10	29.7504	ENDCAP SHUTTLE SET 20			
11	29.7662	GROMMET			
12	29.7814	MAGNETPLATE 20 SMALL			
13	29.7868	SPRING UNIT-MACH			
14	29.7915	BRACKET C-PROFILE			New
15	29.7916	FOOTPLATE C-PROFILE RH			New
16	29.7917	FOOTPLATE C-PROFILE LH			New
17	29.7918	FOOTPLATE C-PROF INSERT			New
18	29.7924	INSTAL. PLATE C-PROF. RH			New
19	29.7925	INSTAL. PLATE C-PROF. LH			New

Size Limits

Model	Weight Class	Max. surface (m ²)	Min. top width	Min. bottom width	Max. width	Min. drop	Max. drop	Remarks
124	1	N.A.		100	N.A.	150	2300*	* 1700 for Architella 25
	2	3.0 m ²			1280			
	3	3.0 m ²			1280			
	4	2.5 m ²			1280			
	5	2.0 m ²			1280			